

PROVIX.NET
Now I CAN SEE!



Camera Systems, Lighting & Alarms

SAFETY SYSTEMS FOR MOBILE EQUIPMENT & OPERATIONS

sales@provix.net • www.PROVIX.net • (888)434-0253



Diminishing the din

By Karly Winfield



Beep, Beep, Beep, Beep! Everyone is aware of the constant annoying sound of tonal back-up alarms.

One concern with conventional reversing alarms is that their tonal sound travels over long distances and creates noise for surrounding communities and neighbouring residents. The other concern is that workers can become acclimatized to the beeping sound, and often cannot locate from which direction, or vehicle, the sound is coming from.

Broadband or white noise alarms operate at a much lower frequency, which can be heard in the danger area but not by the neighbours. The 'Shh, Shh, Shh' sound is instantly locatable, ensuring workers can identify where the reversing vehicle is.

As well, the alarm is equipped with self-adjusting sound levels that allow for automated volume control when there are reduced ambient noise levels. In the evening, when there is less background noise, the alarm volume is reduced by up to 20 decibels. From the neighbours' perspective, they don't hear the broadband alarms as the sound dissipates quickly and does not carry over distance like a conventional tonal alarm.

A study completed by the Institut de recherche Robert-Sauve en sante et en securite du travail (IRSST) compared

new broadband alarm technology with conventional alarms to determine their efficacy in relation to worker safety. It involved two sets of trials: a field trial and a laboratory trial. In the field trial, the sound generated by the alarms behind vehicles was measured in workplace conditions, to determine the direction and distance that the sound travelled. In the second, psychoacoustic tests were performed on a human subject in a lab.

The completed tests related to alarm perception: detection thresholds, equal loudness, perceived urgency and sound localization. The broadband alarm signals were deemed compliant with the Society of Automotive Engineers (SAE) J994 standard, the most common standard used to certify alarms installed on heavy vehicles.

Broadband alarms have been implemented at the Lafarge operations in Caledon for many years. They have effectively put an end to complaints about reversing alarms, while making working conditions safer for workers, many other local aggregate operations have implemented the white noise alarms for similar reasons. Although these alarms carry a higher initial cost, they come with a lifetime warranty. Reduced maintenance associated with repairs or replacement, and the satisfaction of knowing that it is the last backup alarm that will be required for a specific piece of

equipment are simply two more reasons to consider implementing these alarms.

Broadband or white noise alarms are fully approved for both surface and underground mining operations under all current occupational health and safety regulations. In certain U.S. cities, they are the only reversing alarms allowed on construction projects. In Toronto, the TTC has used them exclusively on the subway expansion project, and on construction activity that is in close proximity to residential areas.

In conclusion, broadband or white noise reversing alarms provide an audible, locatable alert to your personnel of the presence of heavy equipment and vehicles that are equipped with broadband warning devices. The alarms can work in partnership with camera systems and proximity detection systems to allow both the operator and the pedestrian to detect, alert and react before accidents occur. The elimination of local noise pollution is simply a very nice bonus, on an extremely reliable safety system. •

Karly Winfield is the North American technical sales consultant with Provix Inc, a Canadian company specializing in the implementation of collision avoidance and safety systems for mobile equipment operating in aggregate, mining and construction. She can be reached at sales@provix.net or at (888) 434-0253

PROVIX IN YOUR OPERATION?

PROVIX.NET
Now I CAN SEE!

Safety and Remote Video Systems for Aggregate Operations.



Camera Systems, Lighting & Alarms

SAFETY & SYSTEMS FOR MOBILE EQUIPMENT & OPERATIONS

PROVIX is Vision Enhancement

PROVIX enhances vision, safety and productivity through the deployment of technologically advanced systems that have been designed for the aggregate industry. Camera systems that can include remote viewing capability, wireless recording, programmed and triggered event monitoring, night vision and safer, more productive operations in drilling, hauling, blasting, tramping, crushing and loading operations .

- Collision Avoidance Systems
- Cameras for equipment
- Camera Wash
- Cameras for Crushers/ Breakers
- Cameras for Hoppers/ Stackers/ Loading Chutes
- PTZ (Pan/ Tilt/ Zoom) cameras for any application
- IP/ Network Viewable Cameras
- Birds eye view/ Aerial View camera system
- Self adjusting, broadband, white-noise alarms (often referred to as quack or duck alarms)
- LED Lights
- Warning Lights/ Light Bars/ Strobes
- Radar Sensor Object Detection Systems
- Radio Remote Controls
- GPS Fleet tracking
- Drill Cameras
- Loader Cameras
- Haul Truck Cameras
- Fork lift Cameras
- Portable camera Systems
- Tire Manipulator/ Extractor cameras
- Network Viewable Cameras
- Excavator Camera System
- Skid Steer Camera System
- Analogue and Digital IP cameras for any application
- Inspection Camera Systems
- Process Monitoring Cameras
- Explosion Proof Cameras
- RAM mounting Systems
- Video Monitors
- Recording Systems



ProVix is Vision Enhancement

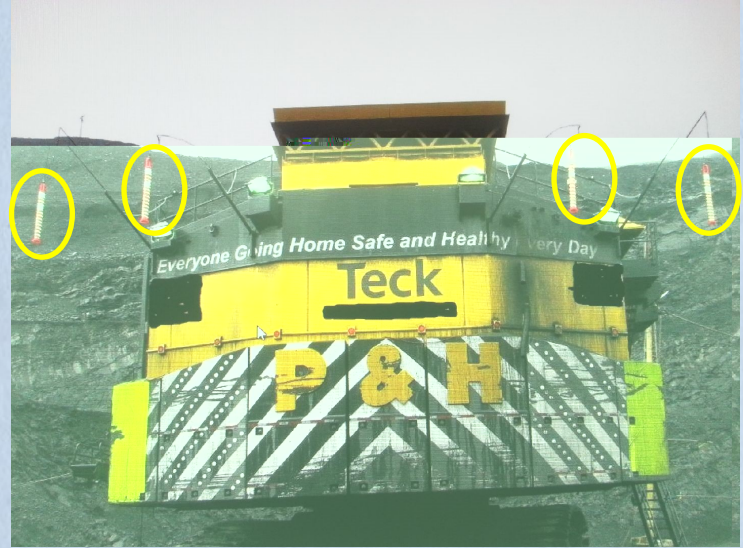
TYPES OF CAMERAS

- HEATED WIRELESS IP/ NETWORK VIEWABLE
- REMOTE VIDEO
- THERMAL IMAGING
- PROCESS MONITORING
- PORTABLE BOREHOLE BIN INSPECTION
- PAN / TILT / ZOOM CAMERAS
- CAMERAS WITH INTEGRATED IR'S AND WHITE LIGHT
- INSPECTION CAMERA SYSTEMS
- TRIGGERED EVENT MONITORING
- EXPLOSION PROOF CAMERAS

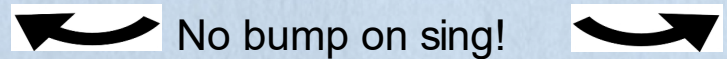
TYPES OF EQUIPMENT

- SHOVELS
- DRILLS
- EXCAVATORS
- FORKLIFTS
- SKID STEERS
- HAUL TRUCKS
- CASSETTE TRUCKS
- TIRE MANIPULATOR
- BULLDOZERS
- HAUL TRUCKS
- TRUCKS AND UTILITY VEHICLES

STOP SHOVEL TO HAUL TRUCK COLLISIONS WITH LED DELINEATORS



Show the Haul truck operator where to park to avoid getting bumped.



No bump on sing!

Product Information

3/4 Schedule 40 Pipe Steel Standoffs, 8' in length
Height: 36.5"
Diameter: 4.25"
Weight: W-Out Whip Assembly: 10lbs.
Construction: Rugged plastic
LEDs: Super Bright Green 50/50 Tri-Chip
Assembly: 4' Rope W-Thimble / 25' Power Cord & Switch
24V or 110V



Delineator Uses

Mining Shovels - Hydraulic, Diesel and Electric
Excavators / Continuous miners etc.
Identify the exact location for Haul Truck to park to maintain proper distance



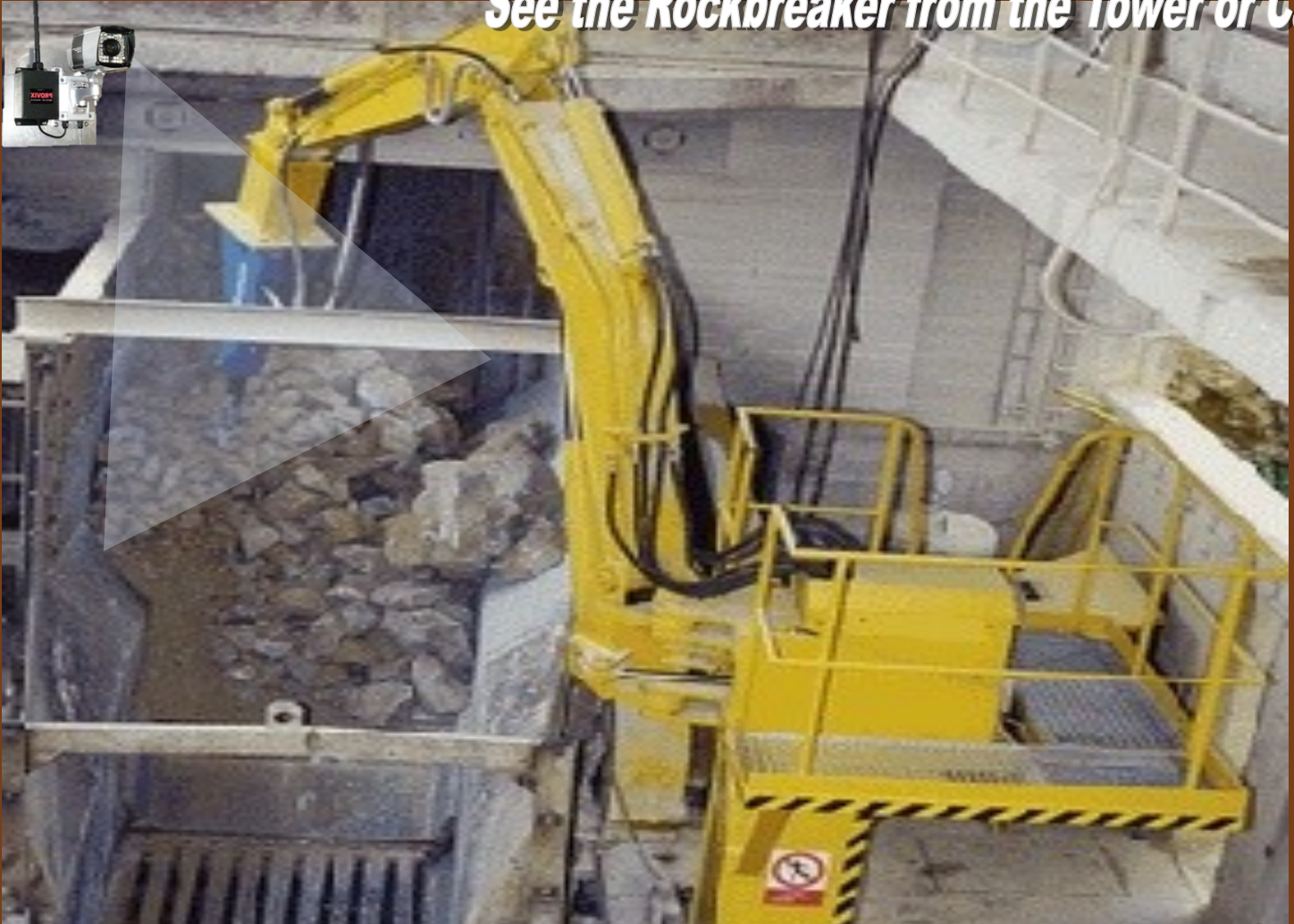
Rearview/ Side View Cameras

Add rear + side view cameras to enhance operator vision
Operators use camera monitor systems to reverse safely and see delineators



Rockbreaker Wireless Camera

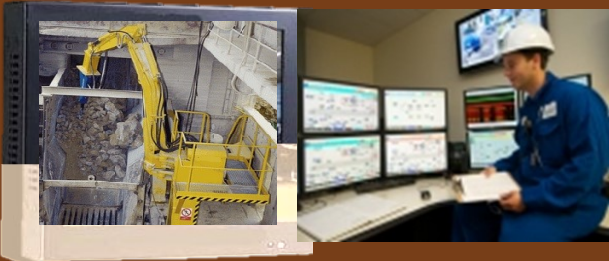
See the Rockbreaker from the Tower or Cab



ffb

Additional Options

-
-



Loaded Cam



View your load level from the operator cab

For Monitoring Grizzlies, Loading Chutes, Crushers, Rockbreakers and more!



Weatherproof Rugged Wireless Camera
Enables both the truck operator and the control room operator to see a bird's eye view of the loading process.



Wall Monitor and Protective Enclosure: Enables the truck operator to see the loading process.



In Cab Dust/Waterproof Monitor

OR

- The loading zone is monitored by a wireless camera that transmits real time video to a wall monitor OR to an in cab monitor.
- This allows the driver to see the fill level in the dump box.
- The loading station operator can monitor the loading process and the position of the next truck in line.
- Loader operators can check breaker status or load level
- Control tower can verify load level and conveyor or chute status
- Enables the operator to control the throat gate and lip functions of the chute to safely load trucks, trams, ore cars or conveyors

Additional Options

Rugged Camera System

*Add up to four cameras



IP/Network Viewable

*Enables the process to be viewed within the control room and/or the network



PROVIX.NET
Now I CAN SEE!

Equipment Camera Sys



System Includes:

- One Reversing Camera with steel camera guard
- Rugged, heated camera shown on a waterproof/dustproof monitor when vehicle is put into reverse.

Heated Camera

Waterproof Monitor



CALL TOLL FREE: 1-888-434-0253 — CONTACT: SALES@PROVIX.NET — VISIT: WWW.PROVIX.NET

PROVIX.NET
Now I CAN SEE!

Haul Truck Dual Camera System



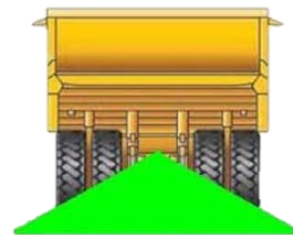
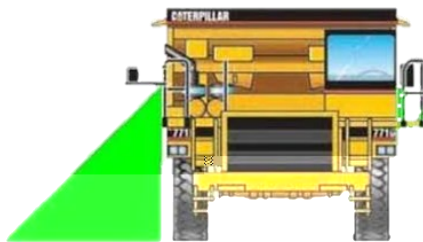
Waterproof Monitor



Steel Camera Guard

Heated Camera

- One Reversing Camera with steel camera guard
- One Blind side Camera to enhance the operators vision on the right side of the vehicle.
- Both rugged, heated cameras are reverse triggered shown split screen on a quad monitor



Eliminates Blind Spots Behind and Beside Haul Trucks

CALL TOLL FREE: 1-888-434-0253 — CONTACT: SALES@PROVIX.NET — VISIT: WWW.PROVIX.NET

PTZ Rugged Robotic Camera



- Display Options:**
- Network/IP
 - Viewable at surface
 - Tethered Remote
 - Viewing at Safe Operator Station
 - In Cab monitors for manned operation
 - Vibration Resistant
 - Waterproof
 - 360° / 300° Pan and Tilt
 - 26x Zoom



Applications

The PTZ Camera is a shock-proof high speed camera with integrated pan, tilt and 26x optical zoom. The reinforced metal camera housing is literally bullet proof and has been constructed to be resistant to flying rocks and debris. This camera has been designed for mining, construction, petroleum processing and oil field applications: It is well suited for hazardous environments and its functionality makes it ideal for vehicle and equipment mounting for remote operation, process monitoring and surveillance.



Operator uses equipment mounted cameras displayed on multiple monitors to view remotely control equipment

PORTABLE REMOTE VIDEO SYSTEM



Increased range = increased efficiency and productivity

- Industry Canada Certified
- Connect/view up to four cameras
- Wide, narrow or close up camera angle
- Remote video at farther range
- Advanced wireless transmitter increases the range, allowing heavy machinery to be operated over larger areas
- Camera "Quick-Release" Pedestal Mount allows for easy removal of camera
- LCD Display Monitors in a weatherproof impact resistant case, powered by LiPo batteries or AC/DC
- Optional: wireless recording
- Local or network viewable



Skid Steer Camera System



High resolution camera

- Durable housing
- Left and Right
- Hybrid color night vision



7" Digital Screen
TFT LCD Color
Monitor with
Removable Sun
Visor

Heated Rear view
Counterweight
Camera with steel
camera guard



Tire Manipulator Camera System



PROVIX Tire Manipulator Camera System allows operator to align and fit tires accurately without damaging the tire/studs/valve and eliminates the need for a fitter between the Tire Handlers' arms.

System includes:

- Heated waterproof camera equipped with LED infrared lighting
- Waterproof and dustproof monitor
- Rugged Camera Guard

Additional Options:

Add up to as many cameras as needed



Excavator Camera System



7" Color Monitor with Removable Sun Visor



Boom Camera with Photo-Chromatic Lens gives your camera it's own set of sunglasses



Heated Rear view Counterweight Camera with steel camera guard

- System is designed to eliminate blind spots, increase safety and improve productivity for the excavator operator.
- Reversing camera to enhance operators view of swing area
- Boom camera to view the operation of the excavator attachment; boring, ripping, crushing, cutting, lifting, etc.



Feller Buncher GPS Harvest Tracking Camera System



Optional Rear View Camera

(Waterproof GPS Camera Monitor with 10" Display , High Endurance Camera, Cables, Camera Guard)
* Note: The camera is enclosed in a supplied rigid steel camera guard that would be welded onto the buncher arm. This would protect the camera from falling branches & debris.



Key Features:

GARMIN® GPS:

- Features a worldwide base map with high-quality satellite-enhanced images
 - Ability to record waypoints on Canadian topographical maps
- Draws maps quickly, simple interface makes navigating easy
- Waterproof 10" Monitor: view high-resolution video/graphics
 - High-resolution satellite images and aerial photographs help you orient yourself in unfamiliar areas
- Removable SD card for recording tracks & transferring mapping data to a compatible Garmin® GPS— installed in skidder
- Can connect live video feed with the video input/output options
- By connecting to the Garmin® Marine Network, sonar & radar can be added

CAMERA:

- Solid billeted aluminum camera body; anodized camera body resists corrosion
- Automatic IR night vision gives 45'+ of viewing in complete darkness
- Standard lens features 92 degree field of view (3.6MM) Optional lenses available include: 4.3MM, 6MM, 12MM or 16MM
- Waterproof to 300' depth: Triple O-ring sealed
- Lab certified to 100G shock & vibration
- Photo chromatic lens gives camera it's own set of sunglasses
- Triple hardened glass lens resist scratch, scuffing & static buildup
- System includes one camera— additional cameras can be added as required.
- 3 Year Warranty on Camera

PROVIX.NET
NOW I CAN SEE!

Crane Camera System



- Vision Enhancement
- Increased Productivity
- Overhead Safety
- Less Material Damage

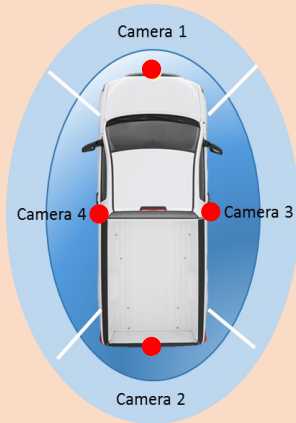


CALL TOLL FREE: 1-888-434-0253 — CONTACT: SALES@PROVIX.NET — VISIT: WWW.PROVIX.NET

Aerial View Camera System

4 Cameras, 1 Image, 0 Blind Spots

Operator has birds eye view of equipment and surroundings



***Actual aerial view image of man carrier at Barrick Gold as displayed on in cab monitor**

Features & Benefits

- Applicable for ALL mobile equipment
- Four 180 Camera Lenses cover the entire perimeter and surroundings, including all blind spots
- Real-time video output
- Birds Eye View of your equipment and surroundings
- Comprehensive "all-round" view of vehicle in a single image

360° Aerial View provides the operator with full situational awareness of anyone or anything that is behind, in front, or on either side of the vehicle

Four cameras provide images from each side of the vehicle- those images are then stitched together much like taking a panoramic picture.

The operator of the vehicle has a Split Screen view that displays both the 360° Aerial view as well as the video display from camera facing in the direction of travel.

No operator intervention is required- Camera views are triggered automatically based on the direction of travel.

360° Camera lens totally eliminates all blind spots

Split Screen Viewing eliminates Screen clutter and offers rapid identification of obstacles or people.

360° camera system is suitable for any type of equipment where the operator has reduced or restricted line of sight or "blindspots"

Mining Automation: Using PROVIX IP Cameras for Remote Operation of Heavy Equipment and Process Monitoring

PROVIX rugged machine mounted IP cameras transmit Real Time video to equipment operators for automated operations.

PROVIX IP cameras have low video latency allowing for real time remote viewing and operation.

Provix IP Camera Systems:

- Combine multiple IP cameras for safe efficient automated production
- Directed video can be viewed and accessed on the internal network, in the safe operator station, or from corporate headquarters
- Wireless radio transmitters are ruggedly designed to resist the various effects of harsh industrial environments
- Advanced wireless radio technology allows for reduced bandwidth consumption and built in stability
- High resolution cameras assist in identification, monitoring and enhanced production efficiency
- Variety of viewing options allows for permanent setup of monitors in a control room or in a safe operating station using a monitor in a protective case with battery pack
- Allow one operator to operate more than one piece of equipment safely and efficiently
- **ONVIF compliant**



Four PROVIX IP cameras on one of three loaders being run on teleremote by one operator at Fort Knox- Kinross Gold Alaska.



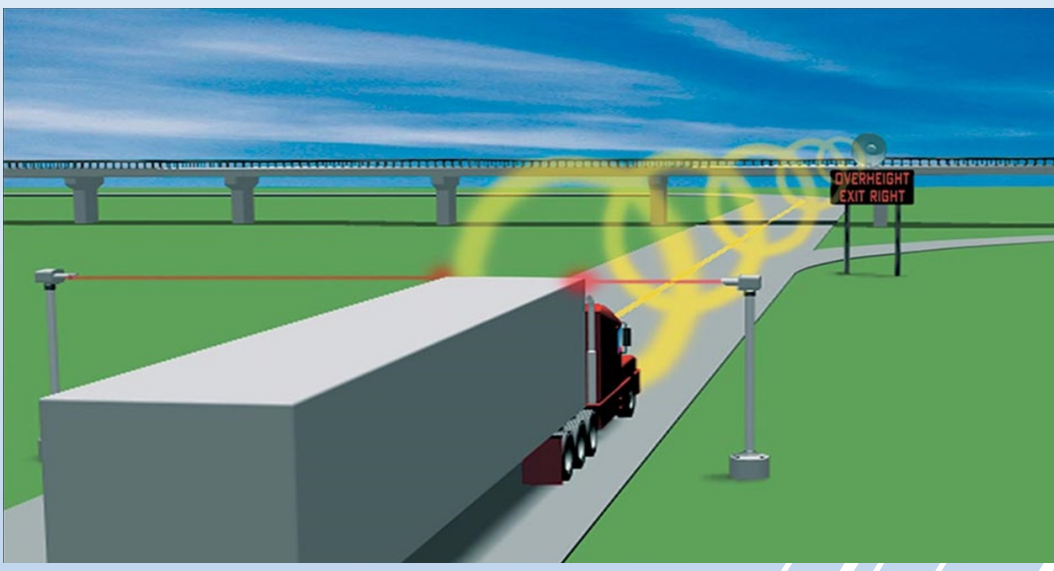
Operator is able to monitor each camera view, independently, on one of four large screens, allowing for safe efficient production. Actual photos from PROVIX IP cameras at Kinross

OPTIONAL:

-Camwash

-Camera Guards

Over Height Detection System

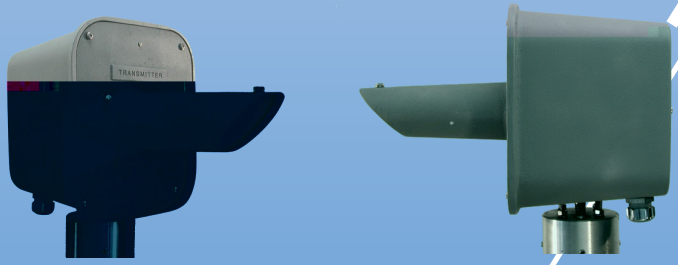


Detect rs are capable f detecting the ver height vehicle when it is travelling at a speed f up t 121 kph. In sn w, rain r dusty c nditi ns

- Detects ver height vehicles and activates visual and audible warnings
- Directs driver t take appr priate acti n
- Can n tify traffic-m nit ring stati ns, law enf rcement r IT c ntr l p ints via landline/ wireless
- Pr vides the m st advanced tech t eject ambient light and eliminate false ver height alarms

Applications

- Bridges
- Tunnels
- Overpasses
- False W rk
- Weigh Stati ns
- Parking Structures
- Airp rts
- C rrid r Management

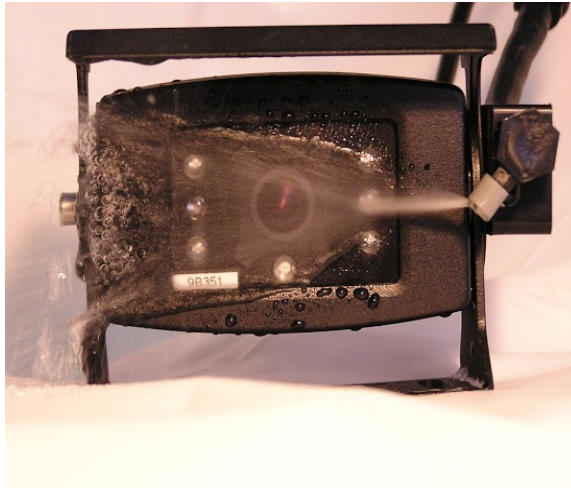
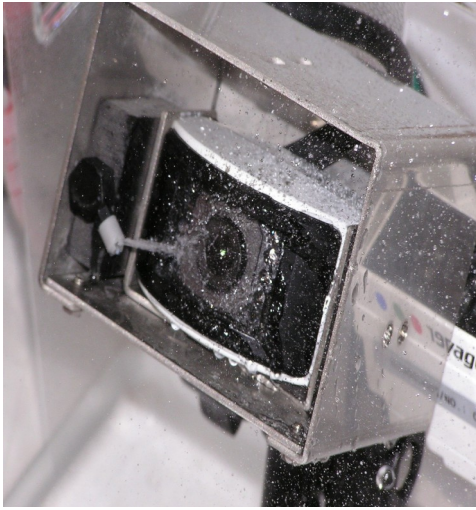


Audible & Visual Alerts



PROVIX CAMERA-WASH SYSTEM

PROVIX.NET
Now I CAN SEE!



Cleans the Camera lens of Dirt, Ice, Dust and Snow with the push of a button!

KEEP CAMERA LENS CLEAR TO ENHANCE MOBILE SAFETY

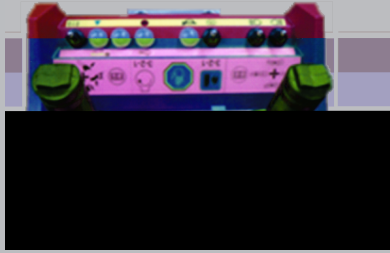
- USES WASHER FLUID FOR YEAR ROUND OPERATION.
- 12 VOLT HIGH PRESSURE PUMP
- 1 GALLON RESERVOIR WITH MOUNTING HARDWARE
- MOMENTARY ROCKER SWITCH
- 30 FOOT ELECTRIC HARNESS AND FLUID TUBING KIT. CUSTOM LENGTHS AVAILABLE.
- EASY TO INSTALL
- COMES AS A KIT WITH 30' HARNESS OR CUSTOM LENGTHS ARE AVAILABLE
- OPTIONAL NEMA BOX FOR EASE OF MOUNTING
- ADD UP TO FOUR OPTIONAL NOZZLES PER KIT
- ADD AN OPTIONAL TIMER FOR AUTOMATIC CLEANING.
- ADD A STAINLESS STEEL BOX FOR MOUNTING ON THE SIDE OF OR UNDER SIDE OF PLOW/DUMP TRUCKS.
- CUSTOM KITS AVAILABLE

1-888-434-0253

SALES@PROVIX.NET

WWW.PROVIX.NET

PROVIX.NET
Now I CAN SEE!



R-1000 Remote Control System

Provix R-1000 radio remote control systems are engineered and manufactured in close co-operation with our worldwide based customers. These radio remote control systems are engineered to ensure safe and efficient remote operations. Our systems have been designed based on the most advanced technology and components.

R-1000

Digital functions up to 64 and analog functions up to 19
Uses two Li-ion batteries with smart discharge and hot swap
which is essential for battery optimization and continuous operation
Perfect use for applications with many interconnected processes with
guarantee of non-interrupted operation
Suitable for harsh environment mining and maritime conditions
High mechanical and chemical resistance due to the specific moulded housin

TYPICAL APPLICATIONS

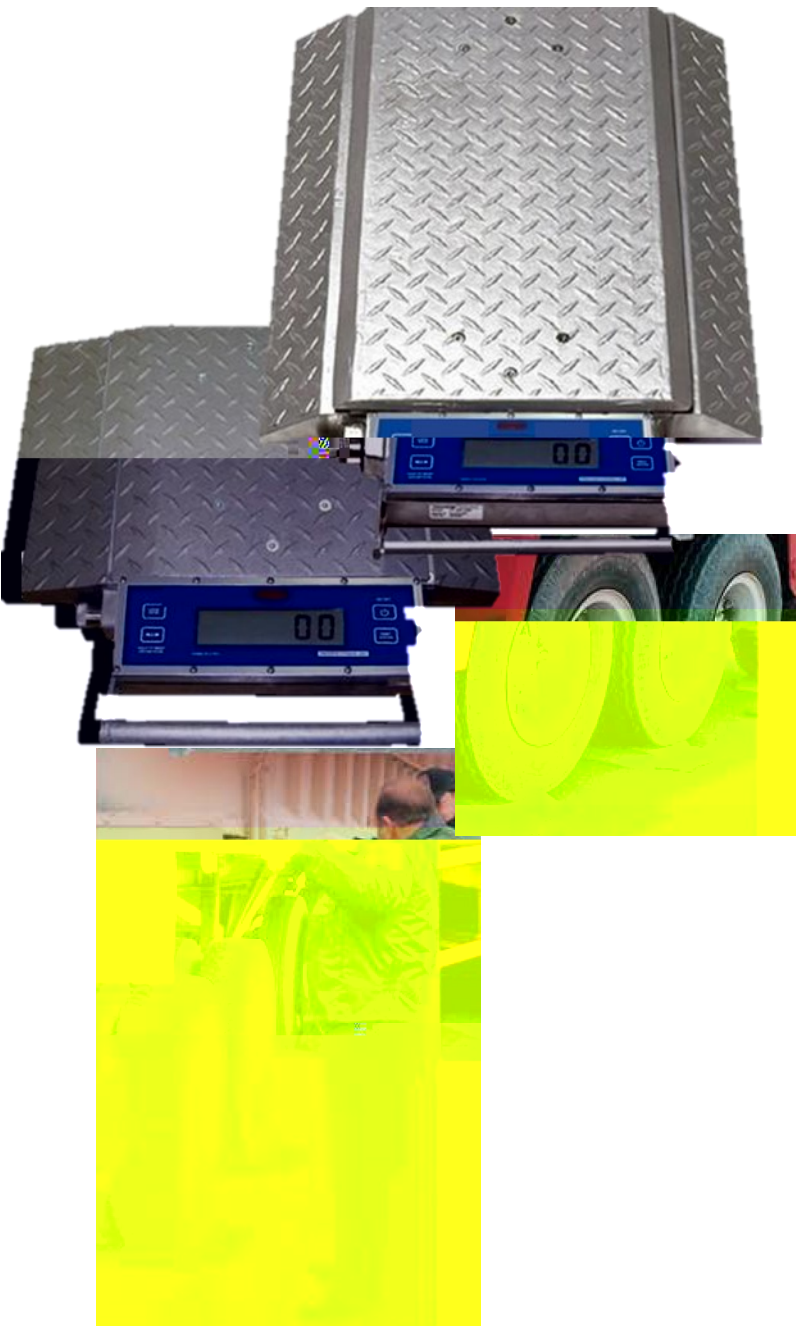
LHD Equipment, Blockholers, Jumbo's, Long Hole Drills, Rockbreakers, Shotcrete Sprayers
Off Shore: Oil Skimmers, Drilling Rigs, Catwalks, Raiser Chutes, Roughnecks, BOP, ROV
systems, Pipe Handlers, A-frames
General Industry: Forestry slashers, Dozers, Excavators, Recovery vehicles, Concrete pumps,
Conveyance, Fire fighting systems, fueling systems
Railway: Surface locomotives, Underground locomotives

FUNCTIONS

The R-1000 can be fitted with analog or digital joysticks, pushbuttons, toggle switches
and rotary switches to meet the exact customer requirement
Safety features with E-stop, tilt switch, PTO deadman, on/off switch, horn, start warning
Operator terminal layouts are configured according to the application and customer requirements
Optional: LEDs and displays for feedback information
Optional: Shoulder Harness or CAT 500Hz throttle available upon request

R-1000 PRODUCT OVERVIEW

Provix Wheel Load Scales



Self-Contained, High-capacity Digital Wheel Load Scales

The PRX-SCALE series is designed to maximise legal payloads with concern for violations and reduction of maintenance due to overload stress on equipment.

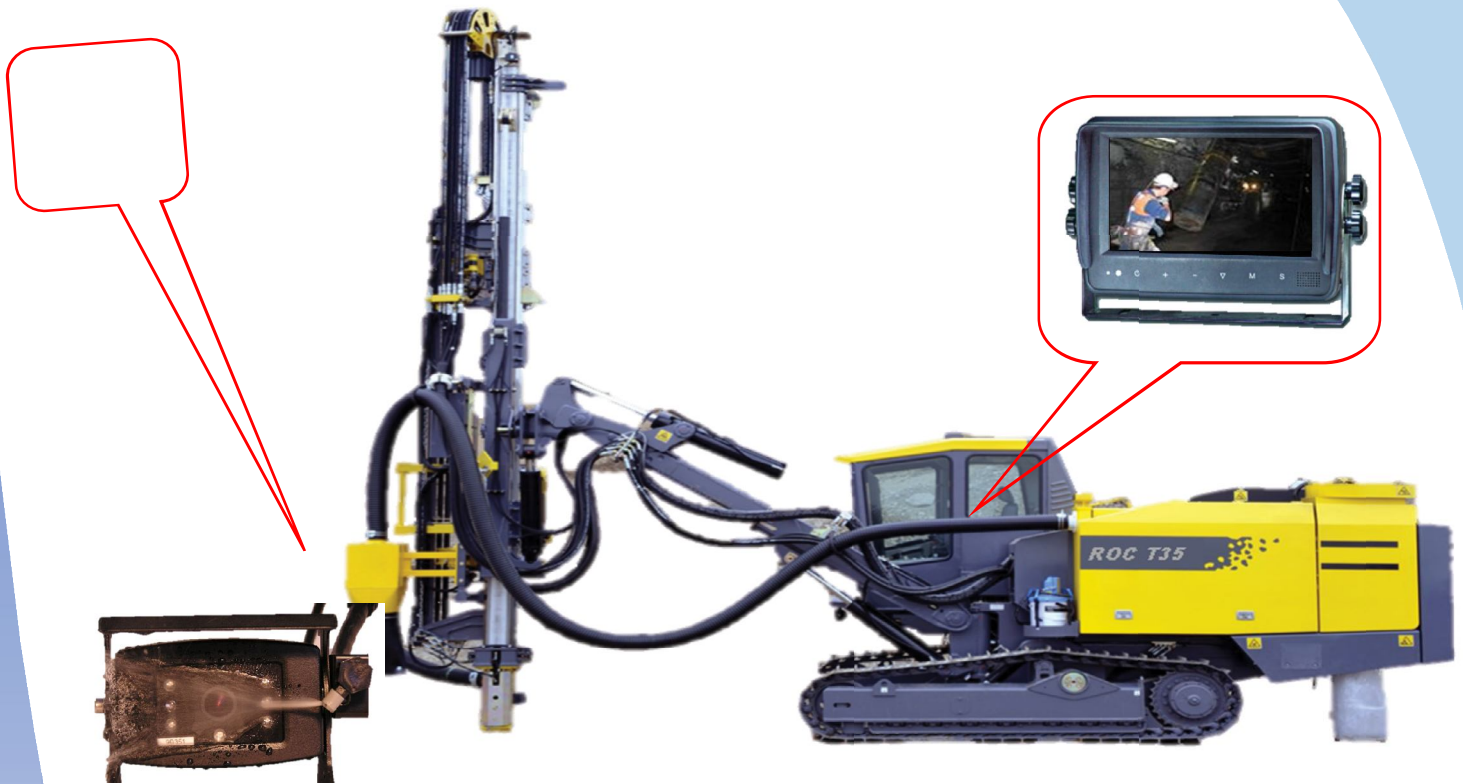
Weighing a mere 37lb.16.8kg, the PRX-SCALE is a sturdy, all aluminum, fully electronic, self contained wheel load scale that is capable of weighing loads up to 20,000 lbs with an accuracy of $\pm 1\%$.

PRX-SACLE is fully battery operated and only require infrequent recharging that can be accomplished by any 12, 110 or 220 volt power source. A charger adapter is provided.

The display area can be lighted for night use by merely touching the "LAMP" switch. It is possible to sequentially couple any number of scales in series, for the purpose of obtaining the total weight of a vehicle. By activating the "TOTAL" switch, the total weight of all the preceding scales will be displayed. The scales are linked at the I/O terminal jack with an optional cable.

The I/O terminal will also transmit required data to a printer or a display. Also available are optional carrying cases that exceed government specifications.

Drill Camera Air/Wash System



System Includes:

- 7" Waterproof color monitor displays cam in cab
- Rugged 50 degree camera with Air & Wash System ensures the operator is drilling accurately
- Camera housed in rugged steel camera guard

Additional Options

- 1) Wireless monitor and battery pack with 20 hour run time for remote operation
- 2) LED GoLight with Pan/Tilt controller in cab and handheld Wireless remote.
- 3) Rearview or Equipment Safety Cameras

Provix Accessories



Ram Mount



Quick Disconnect



Camera Guard



Pedestal Mount



Monitor Rock Guard



Camera Wash



“ ”

Remote Viewing Station



Provix Remote Control System



Wireless Option



Provix... NOW I CAN SEE

TYPES OF LED AND HID LIGHTING

- REMOTE CONTROLLED SEARCHLIGHT
- SPOT
- PORTABLE / BATTERY OPERATED
- GLARE BUSTERS—ANTI GLARE
- FLOOD
- GRILL LIGHTS
- TAIL LIGHTS
- LIGHT BARS
- STROBE LIGHTS
- WARNING LIGHTS
- ROTATING BEACONS
- WARNING LIGHT STICKS / ARROW BOARD

LIGHTS

Hella, Nordic, VisionX, PSE Amber, Whelen, Provix, JWSpeaker



**Remote Controlled
Searchlights**



**Portable/ Battery
Operated Lights**



Light Bars



**Warning Light Sticks
& Arrow Boards**



Flood/Spot Lights



LED Amber Lights



LED Scene Lighting



LED Work Lights

Magnetic Mounting Plate

The Provix magnetic mounting plate offers operators a convenient, sturdy and reliable platform to deploy magnetic mount lights of any type. The plate is installed via the rear cab lights and has a weatherproof seal on the back side for secure and dry installation.

Frame Material: Aluminum

Mounting Plate Material: Stainless Steel

Weight: 8 lbs

Mounting Surface Dimensions: 24" x 8"

Installation: Via Rear Cab Lights

Seal: Weatherproof

Finish: Powder Coated - Black, White, or Grey

Compatible Spotlights: Any Magnetic Mount Light

Ratings/Features:

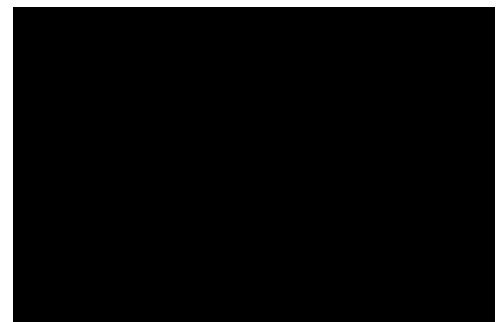
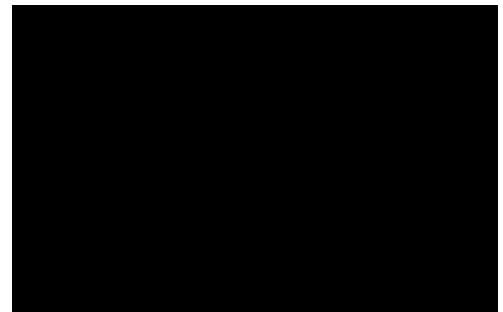
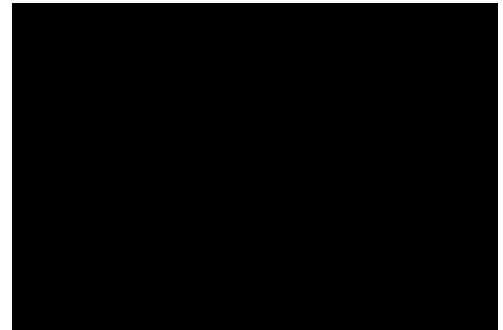
Durable Construction

Stainless Steel Mounting Plate

Works with Any Magnetic Mount Light

Weatherproof Seal

Chevrolet, Dodge, Ford, GMC, Nissan, Toyota



Provix Power Tower

Equipped with any combination of lights & cameras

- Operation: (1) 1000lbs Hand Winch
- Mast Cable: 3/16" Galvanized Aircraft Cable
- 125 mph Wind Resistance
- Trailer Dimensions: 7'L x 7'W
Trailer Bed
- Hitch: 2" Ball Coupler
- Wiring: 7-Pin Flat
- Axle: 3,500lb
- Weight: +600lbs



- Provides a safe and effective way for operators to quickly deploy cameras, security devices and other equipment to elevations up to thirty feet.
- Features a telescoping light tower that folds over for easy transportation.
- Rotating boom allows for 360° rotation.
- Removable mast head when not in use.
- Contains two 265 watt solar panels and a 500aH capacity battery bank with 250aH being usable.
- Mast Guidance System
- Custom builds can be provided for higher wind speed resistance when fully raised.







Component Control Center

LED Work Light Recommendations for Mining

Illumination requirements for different heavy duty applications and industry segments can, and do, vary dramatically. These recommendations are intended to provide guidance to assist in the selection of the most suitable NORDIC LIGHTS® LED work lamp range for your application. It is by no means comprehensive or limiting.

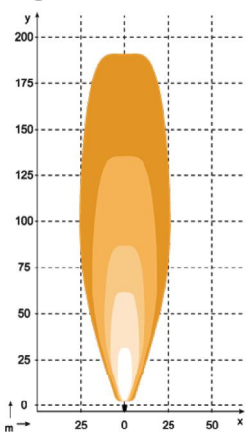
Alternatives may be available. If in doubt, please consult with your local Provix representative for more information.

Larger machine = More lumens = More lights

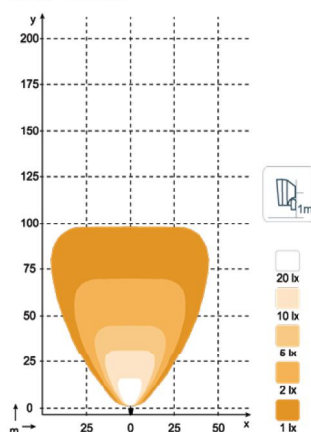
| | Gemini LED  | Centaurus LED  | Scorpius LED  | Taurus LED  |
|--------------------------------|--|---|--|--|
| Articulated Truck | | | ★ | |
| Blast Hole Drill | | | ★ | |
| Bucket Wheel Excavator | ★ | ★ | | |
| Borer / Continuous Miner | | | ★ | |
| Dragline | | ★ | ★ | |
| Dump Truck | | | ★ | |
| Engine Room | | | | ★ |
| Highwall Miner | | ★ | ★ | |
| Hydraulic / Rope Shovel | | ★ | ★ | |
| Load Haul Dump (LHD) | | | ★ | |
| Rocket Boomer / Drilling Jumbo | | | ★ | |
| Surface Miner | | ★ | ★ | |
| Wheel Dozer / Loader | | ★ | ★ | |

Light Patterns

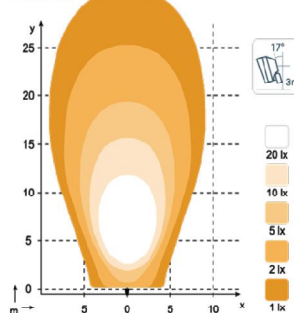
High Beam



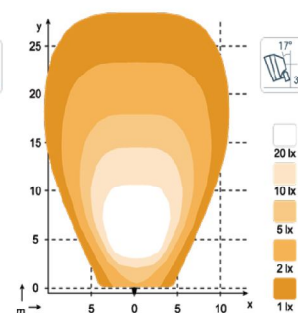
Low Beam



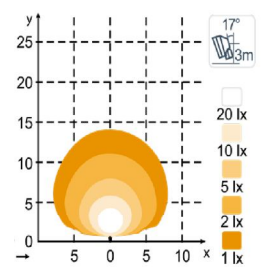
Flood



Wide Flood



Diffused



SCORPIUS GO 410

The SCORPIUS GO 410 LED work lamp offers a quality solution with low power consumption. The light offers long lifetime and high operational safety with minimum maintenance. A work lamp standing tall against the forces of nature.



**SUPERIOR
EMC**
CISPR CLASS 5

Wide Flood: 988-201B
Flood: 988-202B

COST EFFECTIVE ALL-ROUNDER

LOW POWER CONSUMPTION

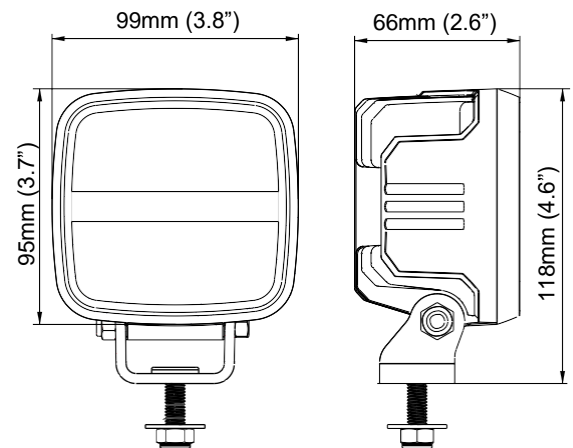
PURE PERFORMANCE IN A COMPACT DESIGN

TECHNICAL SPECIFICATIONS

SCORPIUS GO 410

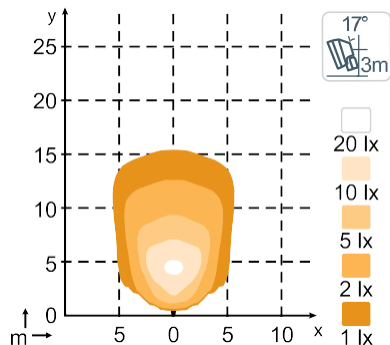
| | |
|--|---|
| Theoretical / Operational Lumens Output: | 1600lm / 1000lm |
| Colour Temperature: | 5000K |
| Nominal / Input Voltage DC: | 12/24V 9-16V / 18-32V |
| Power Consumption: | 16W |
| Nominal Current: | @24V=0.60A, @12V=1.05A |
| Mount: | Single Bolt M8 |
| Connector: | Built-in Deutsch 2-pin |
| EMC | CISPR 25 Class 5, EN12895, ISO 13766, ISO 14982, ISO 7637-2 |
| Electronics: | Integrated |
| Shock & Vibration: | 60G 8Grms 24-2000Hz |
| IP Rating: | IP68, IP6K9K |
| Weight: | 0.6kg |
| Operating Temperatures: | -40°C... +85°C (Overheat protected) |

DIMENSIONS

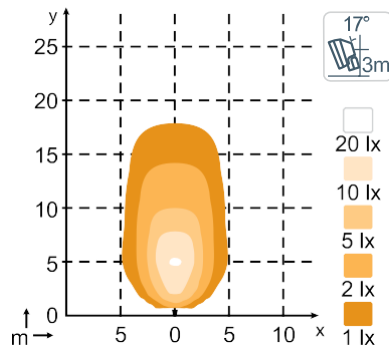


LIGHT PATTERNS

**Scorpius Go 410 1000lm
Wide Flood**



**Scorpius Go 410 1000lm
Flood**



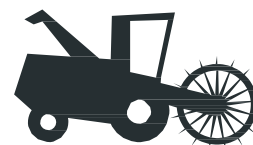
APPLICATION RECOMMENDATIONS



Construction



Forestry



Agriculture



Material Handling

SCORPIUS GO 420

The SCORPIUS GO 420 LED work lamp offers a quality solution with pure performance in a compact design. The light offers long lifetime and high operational safety with minimum maintenance. A work lamp standing tall against the forces of nature.



**SUPERIOR
EMC**
CISPR CLASS 5

Wide Flood: 988-204B
Flood: 988-203B

COST EFFECTIVE ALL-ROUNDER

HIGH LUMENS OUTPUT

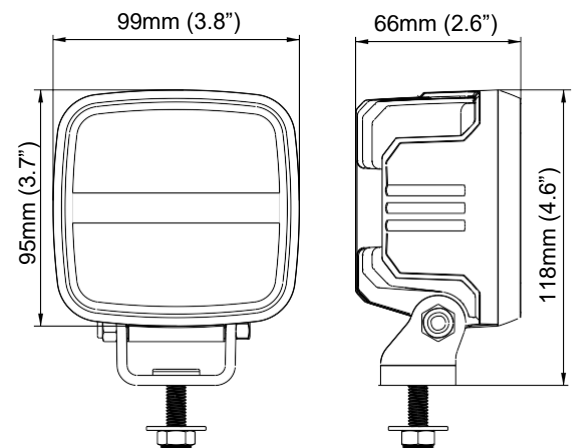
PURE PERFORMANCE IN A COMPACT DESIGN

TECHNICAL SPECIFICATIONS

SCORPIUS GO 420

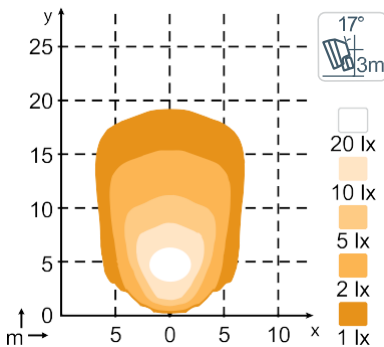
| | |
|--|---|
| Theoretical / Operational Lumens Output: | 2800lm / 1800lm |
| Colour Temperature: | 5000K |
| Nominal / Input Voltage DC: | 12/24V 9-16V /18-32V |
| Power Consumption: | 28W |
| Nominal Current: | @24V=1.00A, @12V=1.80A |
| Mount: | Single Bolt M8 |
| Connector: | Built-in Deutsch 2-pin |
| EMC: | CISPR 25 Class 5, EN12895, ISO 13766, ISO 14982, ISO 7637-2 |
| Electronics: | Integrated |
| Shock & Vibration: | 60G 8Grms 24-2000Hz |
| IP Rating: | IP68, IP6K9K |
| Weight: | 0.6kg |
| Operating Temperatures: | -40°C... +85°C (Overheat protected) |

DIMENSIONS

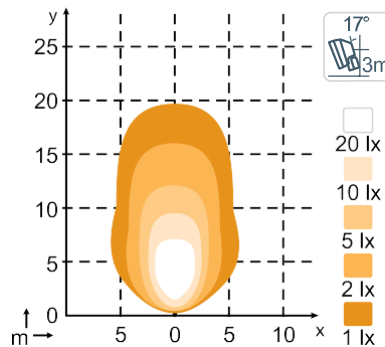


LIGHT PATTERNS

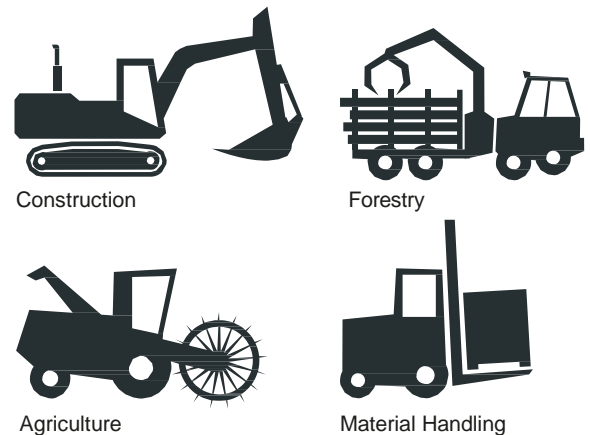
**Scorpius Go 420 1800lm
Wide Flood**



**Scorpius Go 420 1800lm
Flood**



APPLICATION RECOMMENDATIONS



CANIS GO 410

The CANIS GO410 LED work lamp offers a quality solution with low power consumption. The light is suitable for mounting in tight places and for applications in demanding working environments.



**SUPERIOR
EMC**
CISPR CLASS 5

Wide Flood: 988-101B
Flood: 988-102B

COST EFFECTIVE ALL-ROUNDER

LOW POWER CONSUMPTION

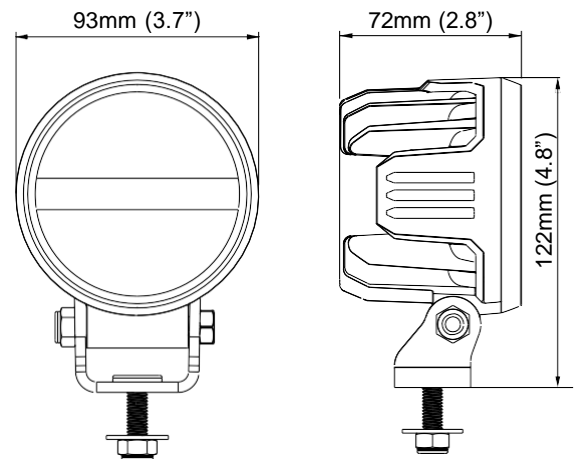
PURE PERFORMANCE IN A COMPACT DESIGN

TECHNICAL SPECIFICATIONS

CANIS GO 410

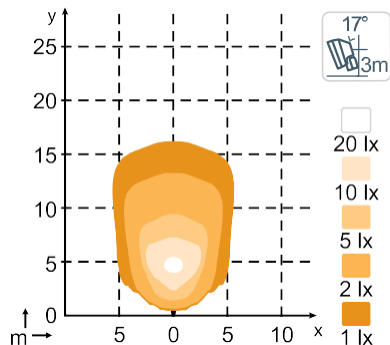
| | |
|--|--|
| Theoretical / Operational Lumens Output: | 1600lm / 1000lm |
| Colour Temperature: | 5000K |
| Nominal / Input Voltage DC: | 12/24V |
| Power Consumption: | 16W |
| Nominal Current: | @24V=0.60A, @12V=1.05A |
| Mount: | Single Bolt M8 |
| Connector: | Built-in Deutsch 2-pin |
| EMC | CISPR 25 Class 5, EN12895, ISO 13766, ISO 14982, ISO 7637-2 |
| Electronics: | Integrated |
| Shock & Vibration: | 60G 8Gms 24-2000Hz |
| IP Rating: | IP68, IP6K9K |
| Weight: | 0.5kg |
| Operating Temperatures: | -40°C... +85°C (Overheat protected) |

DIMENSIONS

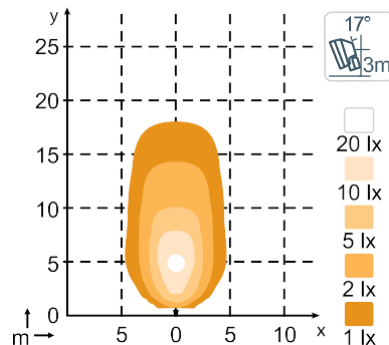


LIGHT PATTERNS

**Canis Go 410 1000lm
Wide Flood**



**Canis Go 410 1000lm
Flood**



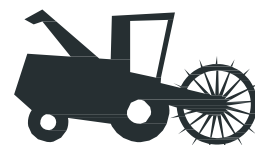
APPLICATION RECOMMENDATIONS



Construction



Forestry



Agriculture



Material Handling

CANIS GO 420

The CANIS GO420 LED work lamp offers a quality solution with pure performance in a compact design. The light is suitable for mounting in tight places and for applications in demanding working environments.

COST EFFECTIVE ALL-ROUNDER

HIGH LUMENS OUTPUT

PURE PERFORMANCE IN A COMPACT DESIGN



**SUPERIOR
EMC**
CISPR CLASS 5

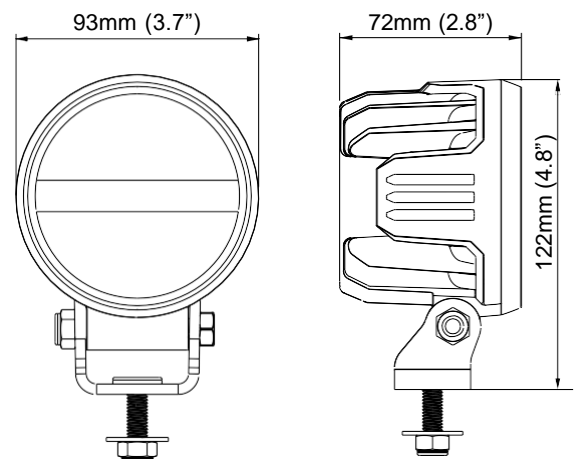
Wide Flood: 988-104B
Flood: 988-103B

TECHNICAL SPECIFICATIONS

CANIS GO 420

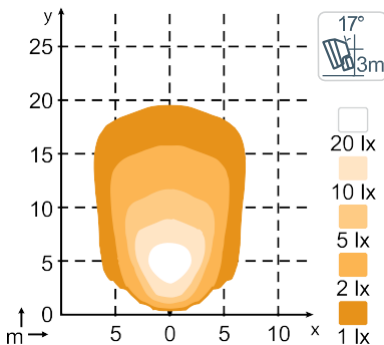
| | |
|--|---|
| Theoretical / Operational Lumens Output: | 2800lm / 1800lm |
| Colour Temperature: | 5000K |
| Nominal / Input Voltage DC: | 12/24V 9-16V /18-32V |
| Power Consumption: | 28W |
| Nominal Current: | @24V=1.00A, @12V=1.80A |
| Mount: | Single Bolt M8 |
| Connector: | Built-in Deutsch 2-pin |
| EMC: | CISPR 25 Class 5, EN12895, ISO 13766, ISO 14982, ISO 7637-2 |
| Electronics: | Integrated |
| Shock & Vibration: | 60G 8Gms 24-2000Hz |
| IP Rating: | IP68, IP6K9K |
| Weight: | 0.5kg |
| Operating Temperatures: | -40°C... +85°C (Overheat protected) |

DIMENSIONS

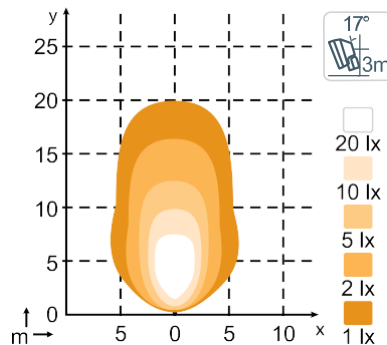


LIGHT PATTERNS

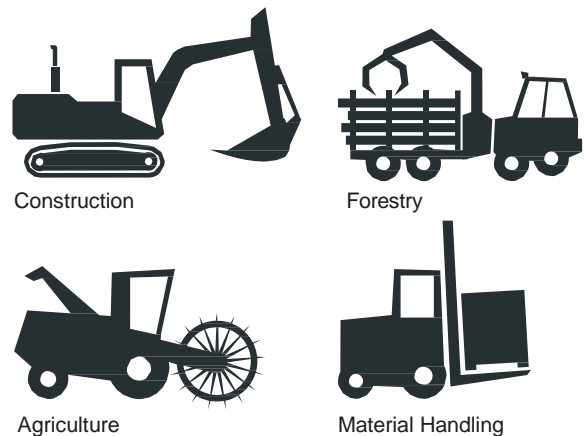
Canis Go 420 1800lm
Wide Flood



Canis Go 420 1800lm
Flood



APPLICATION RECOMMENDATIONS



ANTARES GO 610

The ANTARES GO 610 LED work lamp offers a quality lighting solution for agriculture applications. The light offers long lifetime and high corrosion / chemical resistance with minimum maintenance. A work lamp standing tall against the forces of nature.



Wide Flood: 988-304B
Flood: 988-301B

DESIGNED FOR AGRICULTURE APPLICATIONS

LOW POWER CONSUMPTION

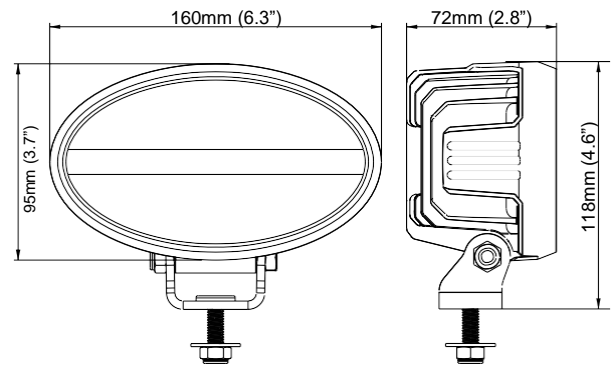
CORROSION & CHEMICAL RESISTANT

TECHNICAL SPECIFICATIONS

ANTARES GO610

| | |
|--|---|
| Theoretical / Operational Lumens Output: | 1600lm / 1000lm |
| Colour Temperature: | 5000K |
| Nominal / Input Voltage DC: | 12/24V 9-16V /18-32V |
| Power Consumption: | 16W |
| Nominal Current: | @24V=0.60A, @12V=1.05A |
| Mount: | Single Bolt M8 |
| Connector: | Built-in Deutsch 2-pin |
| EMC | CISPR 25 Class 5, EN12895, ISO 13766, ISO 14982, ISO 7637-2 |
| Electronics: | Integrated |
| Shock & Vibration: | 60G 8Grms 24-2000Hz |
| IP Rating: | IP68, IP6K9K |
| Weight: | 0.8kg |
| Operating Temperatures: | -40°C... +85°C (Overheat protected) |

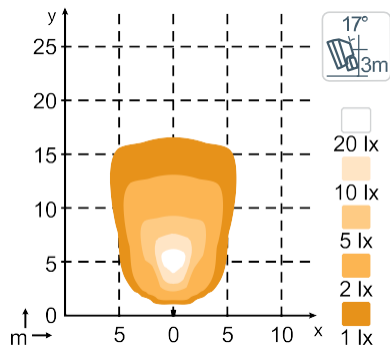
DIMENSIONS



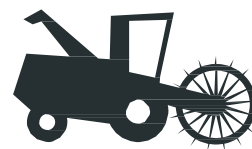
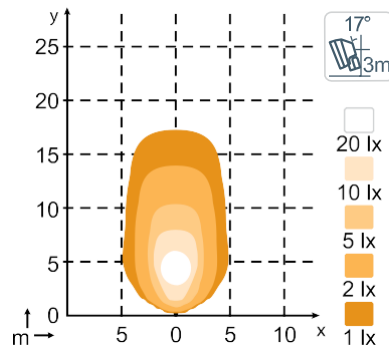
LIGHT PATTERNS

APPLICATION RECOMMENDATIONS

Antares Go 610 1000lm Wide Flood



Antares Go 610 1000lm Flood



Agriculture

6436 Highway 89 East,
Alliston Ontario L9R 1V2,
Canada

Tel: 1 888 434 0253
Fax: 705 435 6419

Visit: www.provix.net
Contact: sales@provix.net

PROVIX.NET
Now I CAN SEE!

ANTARES GO 625

The ANTARES GO 625 LED work lamp offers a quality lighting solution with high lumens output for agriculture applications. The light offers long lifetime and high corrosion / chemical resistance with minimum maintenance. A work lamp standing tall against the forces of nature.



Wide Flood: 988-303B
Flood: 988-302B

DESIGNED FOR AGRICULTURE APPLICATIONS

HIGH LUMENS OUTPUT

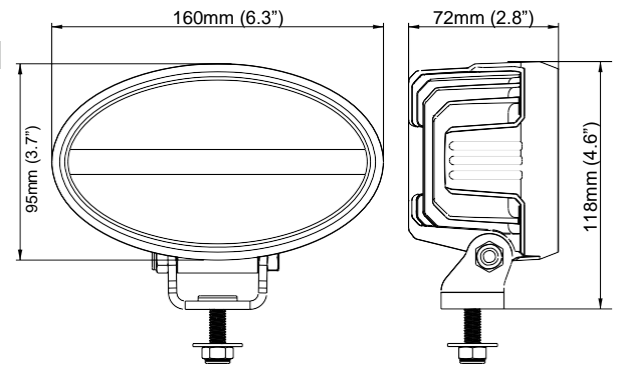
CORROSION & CHEMICAL RESISTANT

TECHNICAL SPECIFICATIONS

ANTARES GO 625

| | |
|--|---|
| Theoretical / Operational Lumens Output: | 3600lm / 2300lm |
| Colour Temperature: | 5000K |
| Nominal / Input Voltage DC: | 12/24V 9-16V / 18-32V |
| Power Consumption: | 39W |
| Nominal Current: | @24V=1.40A, @12V=2.50A |
| Mount: | Single Bolt M8 |
| Connector: | Built-in Deutsch 2-pin |
| EMC | CISPR 25 Class 5, EN12895, ISO 13766, ISO 14982, ISO 7637-2 |
| Electronics: | Integrated |
| Shock & Vibration: | 60G 8Gms 24-2000Hz |
| IP Rating: | IP68, IP6K9K |
| Weight: | 0.8kg |
| Operating Temperatures: | -40°C... +85°C (Overheat protected) |

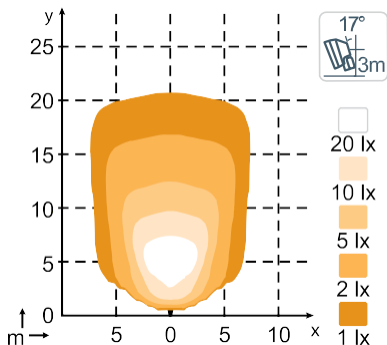
DIMENSIONS



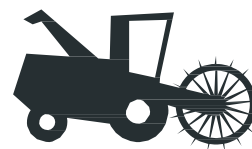
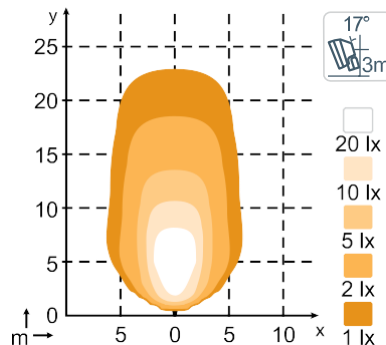
LIGHT PATTERNS

APPLICATION RECOMMENDATIONS

Antares Go 625 2300lm
Wide Flood



Antares Go 625 2300lm
Flood



Agriculture



Hella Lighting Recommendations



HAUL TRUCK



ROPE SHOVEL



DOZER



WHEEL LOADER



ARTICULATED DUMP TRUCK



UNDERGROUND LOADER



EXCAVATOR



UNDERGROUND DRILL RIG





Hella Lighting Recommendations

PROVIX.NET
NOW I CAN SEE!

HypaLUME



HypaLUME

- Developed specifically for Mining applications
- Highly efficient light distribution
- Suitable for energy saving lighting installations

Light output (measured): 24,000 lumen, power requirement: 240 Watt, colour temperature: 5,700° Kelvin, Multivolt, reverse polarity protection, transient spike circuit protection, over-voltage protection, thermal management, IP 6K9K / IP 6K7, double insulated silicone supply cable, non-stick and easy to clean surface coating.

high impact grilamid nylon lens, Heavy Duty cable gland offers bend protection, RCM compliance, premium aluminium housing for Mining use, 10 G / 50 G Heavy Duty stainless steel bracket, mounting standing / hanging.

| | |
|--------------------------------------|-----------------|
| Close range illumination, fix (10 G) | 1GJ 011 872-071 |
| Long range illumination, fix (10 G) | 1GJ 011 872-081 |
| Extra wide illumination, fix (10 G) | 1GJ 011 872-061 |
| Close range illumination, mob (50 G) | 1GJ 011 872-021 |
| Long range illumination, mob (50 G) | 1GJ 011 872-031 |
| Extra wide illumination, mob (50 G) | 1GJ 011 872-011 |

Amber Version

Light output (measured): 13,000 lumen, 1,800° Kelvin, Heavy Duty surrounding-bracket, mounting standing / hanging and sea turtle friendly.

| | |
|--------------------------------------|-----------------|
| Close range illumination, mob (50 G) | 1GJ 011 872-131 |
| Long range illumination, mob (50 G) | 1GJ 011 872-141 |
| Extra wide illumination, mob (50 G) | 1GJ 011 872-151 |

High Bay Version

Light output (measured): 24,000 lumen, 5,700° Kelvin, AC / DC converter is not included.

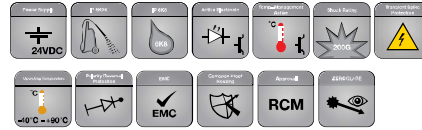
Extra wide illumination
AC / DC converter will be installed as part of a complete installation by a suitably qualified person (or electrician). The final installation must be re-confirmed that EMC directives are still met in the respective country.

1GJ 011 872-211

AC / DC converter
90-305 V AC, 24 V, Rated Current 13.3 A, 320 Watt, 47-63 Hz, -40/+70°C, IP 67

8EN 332 584-021

RokLUME 380 N



RokLUME 380 N

- Developed specifically for Mining applications
- Heavy Duty bracket resists against vibration
- Light distribution optimised for Mining machinery

Light output (measured): up to 7,800 lumen, power requirement: max. 84 Watt, colour temperature: 5,000° Kelvin, 24 V, -40°C to +90°C (overheat protection), reverse polarity protection, transient spike circuit protection, overvoltage protection, thermal management, IP 6K9K / IP 6K8, ECE-R10 approved, RCM compliance, Heavy Duty stainless steel surrounding bracket 165 mm, double insulated silicone supply cable with DT connector, NanoSafe (non-stick and easy to clean surface coating), high impact hardcoated PC lens, Heavy Duty cable gland offers bend protection, mounting angle guide, premium aluminium housing for Mining use, mounting standing / hanging, Nord-Lock washers, DT counterpart included.

| | |
|--------------------|-----------------|
| RokLUME 380 N ZG | 1GA 996 197-001 |
| RokLUME 380 N CR | 1GA 996 197-011 |
| RokLUME 380 N LR | 1GA 996 197-021 |
| RokLUME 380 N PB | 1GA 996 197-041 |
| RokLUME 380 N F | 1GA 996 197-031 |
| RokLUME 380 A N ZG | 1GA 996 197-051 |
| RokLUME 380 A N CR | 1GA 996 197-061 |
| RokLUME 380 A N LR | 1GA 996 197-071 |
| RokLUME 380 A N PB | 1GA 996 197-091 |
| RokLUME 380 A N F | 1GA 996 197-081 |

RokLUME 380 N Auxiliary Light

Light output (measured): 7,800 lumen, power requirement: 84 Watt, colour temperature: 5,000° Kelvin, ECE-R112.01-B approved

| | |
|-------------------------------------|-----------------|
| RokLUME 380 N Auxiliary Light, 12 V | 1FA 996 197-151 |
| RokLUME 380 N Auxiliary Light, 24 V | on request |

ZG ZeroGlare
CR Close range
LR Long range
PB Pencil Beam
N NanoSafe
A Amber

RokLUME 280 N



RokLUME 280 N

- Compact size suitable for all Mining machinery
- Corrosion resistant NanoSafe coating
- Heavy Duty bracket resists against vibration

Light output (measured): up to 4,400 lumen, power requirement: max. 55 Watt, colour temperature: 5,000° Kelvin, Multivolt, reverse polarity protection, transient spike circuit protection, over-voltage protection, thermal management, IP 6K9K / IP 6K8, DT connector, high impact nylon lens, NanoSafe (non-stick and easy to clean surface coating), mounting angle guide, ECE-R10 approved, RCM compliance, premium aluminium housing for Mining use, Nord-Lock washers, DT counterpart included, mounting standing / hanging, Heavy Duty surrounding-bracket, RCM compliance.

| | |
|--------------------|-----------------|
| RokLUME 280 N ZG | 1GA 995 606-541 |
| RokLUME 280 N CR | 1GA 995 606-501 |
| RokLUME 280 N LR | 1GA 995 606-511 |
| RokLUME 280 N PB | 1GA 995 606-521 |
| RokLUME 280 A N ZG | 1GA 995 606-641 |
| RokLUME 280 A N CR | 1GA 995 606-601 |
| RokLUME 280 A N LR | 1GA 995 606-611 |
| RokLUME 280 A N PB | 1GA 995 606-621 |
| RokLUME 280 G N ZG | 1GA 995 606-741 |
| RokLUME 280 G N PB | 1GA 995 606-721 |

ZG ZeroGlare
CR Close range
LR Long range
PB Pencil Beam
N NanoSafe
A Amber

RokLUME 190



RokLUME 190 RFCCommSafe

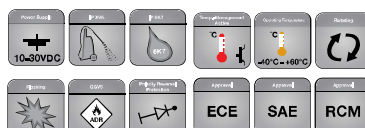
- Developed specifically for Mining applications
- Corrosion resistant NanoSafe coating
- RFCCommSafe for zero EMC emissions

Light output (measured): 1,850 lumen, power requirement: 36 Watt, colour temperature: 5,000° Kelvin, single voltage (24V), reverse polarity protection, transient spike circuit protection, over-voltage protection, thermal management, IP 6K9K / IP 6K8, non-stick and easy to clean surface coating, ECE-R10 approved, RCM compliance, premium aluminium housing for Mining use, ADR / GVS/SEB approved, mounting standing / hanging, DT connector, RCM compliance, NanoSafe version incl. Nord-Lock washers.

| | |
|------------------------------|-----------------|
| RokLUME 190 N RFCCommSafe CR | 1GA 996 388-541 |
| RokLUME 190 N RFCCommSafe LR | 1GA 996 388-551 |
| RokLUME 190 RFCCommSafe CR | 1GA 996 388-561 |
| RokLUME 190 RFCCommSafe LR | 1GA 996 388-571 |

CR Close range
LR Long range
N NanoSafe

DuraRAY 4.0



DuraRAY 4.0

Multivolt, max. 32 Watt, Transient Spike Protection, Reverse Polarity Protection, IP 6K9K / IP 6K7, ADR / GVS/SEB approved, ECE-R10 approved, RCM compliance, installation Ø 130 mm, Ø 150 mm (SAE), impact resistant Polycarbonate lens, rotating and 16 flashing pattern, light sensor for daylight detection

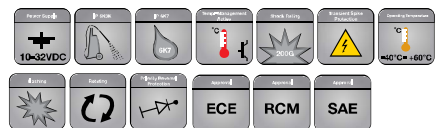
Rotating:
amber, blue and red ECE (ECE-R65 TA1, ECE-R65 TB1 and ECE-R65 TR1) compliant
amber, blue, red and white SAE (SAE J845 class 1) compliant

Flashing:
amber, blue and red ECE (ECE-R65 TA2, ECE-R65 TB2 and ECE-R65 TR2) compliant
amber, blue, red and white SAE (SAE J845 class 1) compliant

| | |
|------------------------|-----------------|
| DuraRAY 4.0 fix, amber | 2XD 012 985-001 |
| DuraRAY 4.0 fix, blue | 2XD 012 985-011 |
| DuraRAY 4.0 fix, red | |
| DuraRAY 4.0 fix, green | 2XD 012 985-031 |
| DuraRAY 4.0 fix, white | 2XD 012 985-041 |

| | |
|---------------------------|-----------------|
| DuraRAY 4.0 magnet, amber | 2XD 012 985-101 |
| DuraRAY 4.0 magnet, blue | 2XD 012 985-111 |
| DuraRAY 4.0 magnet, red | 2XD 012 985-121 |
| DuraRAY 4.0 magnet, green | 2XD 012 985-131 |
| DuraRAY 4.0 magnet, white | 2XD 012 985-141 |

K-LED Mining



K-LED Mining

Multivolt, max. 30 Watt, Transient Spike Protection, Reverse Polarity Protection, IP 6K9K / IP 6K7, ADR / GVS/SEB approved, ECE-R10 approved, low profile beacon, height only 87.6 mm, installation Ø 130 mm and SAE Ø 150 mm possible, impact resistant Polycarbonate lens, RCM compliance, rotating or 17 flashing pattern, light sensor for daylight detection.

Rotating:
amber, blue and red ECE (ECE-R65 TA1, ECE-R65 TB1, ECE-R65 TR1) compliant
amber SAE (SAE J845 class 1) compliant

Flashing:
amber and blue ECE (ECE-R65 TA2, ECE-R65 TB2) compliant
amber SAE (SAE J845 class 1) compliant

| | |
|-----------------------|-----------------|
| amber, direct mount | 2XD 011 557-001 |
| amber, magnetic mount | 2XD 011 557-051 |
| amber, pole mount | 2XD 011 557-041 |
| red, direct mount | 2XD 011 557-021 |
| blue, direct mount | 2XD 011 557-011 |
| green, direct mount | 2XD 011 557-031 |



Hella Lighting Recommendations

PROVIX.NET
Now I CAN SEE!

DuraLED M



DuraLED M – High intensity

User selectable flash patterns, high impact Grilamid nylon lens, clear precision micro optics, Multivolt 9–33 VDC, power requirement: < 10 Watt; fully sealed "Fit and Forget" design, IP 6K6 / IP 6K7, RCM compliance, ECE-R10 approved.

with 2.5 m cable, bare wire

| | |
|-------------|-----------------|
| amber (SAE) | 2XD 959 037-101 |
| red (SAE) | 2XD 959 037-001 |
| blue | 2XD 959 037-601 |
| green | 2XD 959 037-801 |
| white | 2XD 959 037-901 |

with 0,25 m cable and DT plug

| | |
|-------------|-----------------|
| amber (SAE) | 2XD 959 037-141 |
| red (SAE) | 2XD 959 037-021 |
| blue | 2XD 959 037-621 |
| green | 2XD 959 037-821 |
| white | 2XD 959 037-921 |

AP 1200 LED



AP 1200 LED Offroad Signal Light

LED Offroad Signal Light, power requirement: 22 Watt, Multivolt, reverse polarity protection, over-voltage protection, thermal management, IP 6K9K / IP 6K7, ECE-R10 approved, RCM compliance, 2-pole DT connector, 300 mm cabling length, mounting standing / hanging.

| | |
|-------|-----------------|
| amber | 1G4 011 722-501 |
| green | 1G4 011 722-511 |
| red | 1G4 011 722-521 |
| blue | 1G4 011 722-531 |

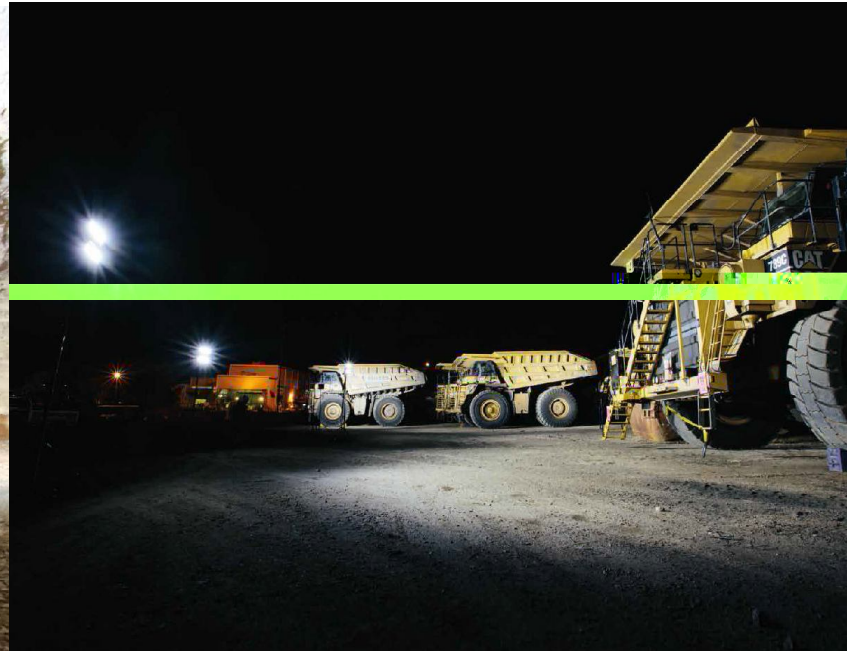
DuraLED Combi-S



DuraLED Combi-S

DuraLED rear combination lamp (stop / tail / indicator), power requirement: Stop Lamp 5 Watt, Rear Position Lamp 1 Watt, Rear Direction Indicator 5 Watt; Multivolt, reverse polarity protection, over-voltage protection, clear UV, impact and chemical "Fit and Forget" service life and RCM compliance, ECE-R10 approved. Optic appears clear until illuminated. Mounting horizontal and vertical standing.

| | |
|----------------------|-----------------|
| 2.5 m bare wire | 2SD 980 613-011 |
| Integrated 6-pole DT | 2SD 980 602-011 |



DOT / SAE compliant performance LED auxiliary driving lamps with state of the art optic system. High lumen output with low power consumption. Emits natural white light which reduces eye fatigue. Available in aluminium housing and rubber housing.

5" Round

1,190 Lumens



| Part No. | Diodes | SAE | Voltage | Amp Draw | Optimal Penetration | Pkg |
|------------------|------------|------|----------|--------------------------|---------------------|------|
| PRXLW5300 | 7 x 3W LED | J581 | 9V - 33V | 1.29 @ 12V 0.07 @ 24V | 750 ft | Bulk |

PRXLW5300X PRXLW5300 packaged in open face retail box

> **Auxiliary HIGH beam lamp meets DOT & SAE standards for highway use**

- Lamp Dimension : 5-1/16" Dia. x 3" D x 5-15/16" H Stud Size : 10M
- LED diode rated life : 50,000 hours (*per manufacturer specifications*)
- High UV resistant polyester powder coated black aluminium housing
- Polycarbonate lens
- Adjustable stainless steel mounting bracket
- Vibration tested to SAE J575 standard. Corrosion protection tested to ASTM B117 standard.
- Reverse voltage protection. Hi/Low voltage input/output protection.
- EMC IP67

7.5" x 5"

DOT (FMVSS108/CMVSS108) compliant



| Part No. | Beam | SAE | Voltage | Amp Draw | Pkg |
|------------------|------------------------------------|------|------------|--------------------------|------|
| PRXLW5506 | Low Beam with Parking Lamp | HL P | 12V or 24V | 1.85 @ 12V 0.97 @ 24V | Bulk |
| PRXLW5508 | High Beam with Parking Lamp | HL P | 12V or 24V | 1.85 @ 12V 0.97 @ 24V | Bulk |

Auxiliary HIGH beam and LOW beam lamps with parking lamps

> **LW5506 meets DOT low beam standards**

LW5508 meets DOT high beam standards

LED parking lamp meets SAE P standards

> **Shock absorbing and UV resistant rubber-like high impact synthetic resin housing**

- Lamp Dimension : 7-1/2" W x 6" H x 5" D Stud Size : 1/2"
- LED diode rated life : 50,000 hours (*per manufacturer specifications*)
- Steel reinforced rubber-like high impact synthetic resin housing
- Hardened glass lens
- Zinc plated steel mounting hardware
- Vibration tested to SAE J575 standard
- Reverse voltage protection. Hi/Low voltage input/output protection.
- EMC IP67 on LED sealed beam unit

PRXLWB5506 Replacement LED sealed beam lamp for LW5506 (box)

PRXLWB5508 Replacement LED sealed beam lamp for LW5508 (box)

PRXAG5070H Replacement housing for LW5506 and LW5508 (bulk)



DOT / SAE compliant performance LED headlamps with state of the art optic system. High lumen output with low power consumption. Emits natural white light which reduces eye fatigue.

6.5" x 4"

DOT (FMVSS108/CMVSS108) compliant

| Part No. | Beam | SAE | Voltage | Amp Draw | Pkg |
|-------------------|--|------|------------|--------------------------|-----|
| PRXLHL5506 | High/Low Beam with Parking Lamp | HL P | 12V or 24V | 1.85 @ 12V 0.97 @ 24V | Box |
| PRXLHL5508 | High Beam with Parking Lamp | HL P | 12V or 24V | 1.85 @ 12V 0.97 @ 24V | Box |



HIGH/LOW beam and HIGH beam lamps with parking lamps

- > **Designed to be used on 2-lamp or 4-lamp headlamp system**
- > **Fits 165mm x 100mm bezels**
- > **LED replacement for 4651 / H4651 / H4656**
- > **LHL5506 meets DOT high/low beam standards**
LHL5508 meets DOT high beam standards
LED parking lamp meets SAE P standards

- LED diode rated life : 50,000 hours (*per manufacturer specifications*)
- Cast aluminium body
- Hardened glass lens
- Connects to existing beam connections
- Vibration tested to SAE J575 standard
- Reverse voltage protection. Hi/Low voltage input/output protection.
- EMC IP67

PRXLHR5506 Resistor Kit for LHL5506 (packaged in retail polybag)

PRXLHR5508 Resistor Kit for LHL5508 (packaged in retail polybag)

Newer model vehicles may have sensors to detect burnt out sealed beams. These sensors normally sense amp draw from the sealed beam. The efficiency of the LED headlamp with it's low amp draw may cause the sensor to indicate a burnt out sealed beam, and trigger a warning on the vehicle computer system. To overcome this, a resistor can be added to the lamp with the addition of the PROVIX Resistor Kit. (PRXLHR5506 for high/low beam & PRXLHR5508 for high beam)

1, 4 Lumens



| Part No. | Diodes | Beam Pattern | Voltage | Amp Draw | Optimal Penetration | Pkg |
|----------|--------|--------------|---------|----------|---------------------|-----|
|----------|--------|--------------|---------|----------|---------------------|-----|

PRXLW4400

PRXLW44 - PRXLW packaged in retail clamshell

PRXLW44 K

PRXHW44 PRX

PRXHW44 P PRX

- LE substitution for 4411 incandescent sealed beam - Flood Beam pattern with entre Spot Beam
- Light penetration up to 3 ft
- 8 x 3W LE

1, 4 Lumens



| Part No. | Diodes | Beam Pattern | Voltage | Amp Draw | Optimal Penetration | Pkg |
|----------|--------|--------------|---------|----------|---------------------|-----|
|----------|--------|--------------|---------|----------|---------------------|-----|

PRXLW 54

- LE substitution for 4411 incandescent sealed beam - Flood Beam pattern with entre Spot Beam
- Light penetration up to 3 ft
- 8 x 3W LE

A variety of performance LED flood lamps for off-road application. State of the art optic system. High lumen output with low power consumption. Emits natural white light which reduces eye fatigue. Aluminium body has thermal management system to control heat.

Heavy Duty LED Flood Lamps

6" Round

4,800 Lumens



| Part No. | Diodes | Beam Pattern | Voltage | Amp Draw | Optimal Penetration | Pkg |
|------------------|-------------|--------------|-----------|--------------------------|---------------------|-----|
| PRXLW6002 | 6 x 10W LED | Wide Flood | 12V - 70V | 4.32 @ 12V 2.18 @ 24V | 400 ft | Box |

> **Sealed Deutsch Connectors (both female & male mating connectors)**

- Lamp Dimension : 6-1/8" Dia x 3-3/16" D x 6-1/8" H Stud Size : 12M
- LED diode rated life : 50,000 hours (*per manufacturer specifications*)
- High UV resistant polyester powder coated black aluminium housing
- Polycarbonate Lens
- Powder coated U-bracket & stainless steel hardware
- Vibration tested to SAE J575 standard. Corrosion protection tested to ASTM B117 standard.
- Reverse voltage protection. Hi/Low voltage input/output protection.
- EMC IP68

5" x 4"

2,925 Lumens



| Part No. | Diodes | Beam Pattern | Voltage | Amp Draw | Optimal Penetration | Pkg |
|------------------|-------------|--------------|-----------|--------------------------|---------------------|-----|
| PRXLW5052 | 6 x 10W LED | Wide Flood | 12V - 54V | 3.76 @ 12V 1.91 @ 24V | 350 ft | Box |

> **Sealed Deutsch Connectors (both female & male mating connectors)**

- Lamp Dimension : 5-1/8" W x 4-11/16" D x 5-3/16" H Stud Size : 3/8"
- LED diode rated life : 50,000 hours (*per manufacturer specifications*)
- High UV resistant polyester powder coated black aluminium housing
- Polycarbonate Lens
- Adjustable stainless steel mounting bracket
- Vibration tested to SAE J575 standard. Corrosion protection tested to ASTM B117 standard.
- Reverse voltage protection
- EMC IP67

5" x 5"

8,100 Lumens



| Part No. | Diodes | Beam Pattern | Voltage | Amp Draw | Optimal Penetration | Pkg |
|------------------|-------------|--------------|-----------|--------------------------|---------------------|-----|
| PRXLW5352 | 9 x 10W LED | Flood | 12V - 30V | 4.22 @ 12V 2.30 @ 24V | 390 ft | Box |

> **Sealed Deutsch Connectors (both female & male mating connectors)**

- Lamp Dimension : 5-3/8" W x 6-11/16" H x 4-5/8" D Stud Size : 12M
- LED diode rated life : 30,000 hours (*per manufacturer specifications*)
- High UV resistant polyester powder coated black aluminium housing
- Polycarbonate Lens
- Powder Coated Steel U-Bracket, Stainless Steel Hardware
- Vibration tested to SAE J575 standard. Corrosion protection tested to ASTM B117 standard.
- Reverse voltage protection
- EMC IP68 RoHs

A variety of performance LED flood lamps for off-road application. State of the art optic system. High lumen output with low power consumption. Emits natural white light which reduces eye fatigue. Aluminium body has thermal management system to control heat.

3.5" x 3.5"

1,150 Lumens

| Part No. | Diodes | Beam Pattern | Voltage | Amp Draw | Optimal Penetration | Pkg |
|---------------------|---|--------------|----------|------------------------|---------------------|------|
| PRXLW4533 | 10 x 1W LED | Flood / Spot | 9V - 36V | 1.5 @ 12V 0.8 @ 24V | 600 ft | Bulk |
| PRXLW4533-C | PRXLW4533 packaged in retail clamshell | | | | | |
| PRXLW4533-5 | PRXLW4533 with Female Deutsch Connector for easy plug into mating Male Deutsch receptacle | | | | | |
| PRXLW4533-5C | PRXLW4533-5 packaged in retail clamshell | | | | | |



- > **Special focal design enhances penetration of light**
- > **Flood beam pattern with spot beam penetration**

- Lamp dimension : 3-1/2" W x 4-11/16" H x 2-3/4" D Stud size : 5/16"
- LED diode rated life : 30,000 hours (*per manufacturer specifications*)
- High UV resistant polyester powder coated black aluminium housing
- Polycarbonate lens
- Adjustable stainless steel mounting bracket
- Vibration tested to SAE J575 standard. Corrosion protection tested to ASTM B117 standard.
- Reverse voltage protection
- EMC IP67

PRXPT6800-5 10" wire with Male Deutsch receptacle

PRXPT6800-5P PRXPT6800-5 packaged in retail polybag



PRXLW4533-2K Dual Lamp Kit with Plug & Go Harness

- **2 x PRXLW4533-5** with Female Deutsch Connectors
- 24 ft harness with 2 mating Male Deutsch receptacles, battery connections, fuse and in dash on/off switch
- Packaged in retail clamshell

4.5" x 3"

1,200 Lumens

| Part No. | Diodes | Beam Pattern | Voltage | Amp Draw | Optimal Penetration | Pkg |
|--------------------|--|--------------|----------|--------------------------|---------------------|------|
| PRXLW4332 | 6 x 3W LED | Flood | 9V - 36V | 1.48 @ 12V 0.81 @ 24V | 200 ft | Bulk |
| PRXLW4332-C | PRXLW4332 packaged in retail clamshell | | | | | |



- Lamp Dimension : 4-3/8" W x 3-3/4" H x 2-1/4" D Stud Size : 5/16"
- LED diode rated life : 30,000 hours (*per manufacturer specifications*)
- High UV resistant polyester powder coated black aluminium housing
- Polycarbonate Lens
- Adjustable stainless steel mounting bracket
- Vibration tested to SAE J575 standard. Corrosion protection tested to ASTM B117 standard.
- Reverse voltage protection
- EMC IP67

A variety of performance LED flood lamps for off-road application. State of the art optic system. High lumen output with low power consumption. Emits natural white light which reduces eye fatigue. Aluminium body has thermal management system to control heat.

6" x 2"

1,260 Lumens

| Part No. | Diodes | Beam Pattern | Voltage | Amp Draw | Optimal Penetration | Pkg |
|----------|--------|--------------|---------|------------|---------------------|-----|
| | | Flood | | 1.42 @ 12V | | |

A variety of performance LED flood lamps for off-road application. State of the art optic system. High lumen output with low power consumption. Emits natural white light which reduces eye fatigue. Aluminium body has thermal management system to control heat.

3" x 3"

1,000 Lumens

| Part No. | Diodes | Beam Pattern | Voltage | Amp Draw | Optimal Penetration | Pkg |
|------------------|------------|--------------|-----------|------------|---------------------|------|
| PRXLW0302 | 4 x 4W LED | Flood | 12V - 30V | 1.04 @ 12V | 650 ft | Bulk |

PRXLW0302-C PRXLW0302 packaged in retail clamshell

- Lamp Dimension : 3-1/4" W x 3-1/4" D x 3" H Stud Size : 8M
- LED diode rated life : 50,000 hours (*per manufacturer specifications*)
- High UV resistant polyester powder coated black aluminium housing
- Polycarbonate Lens
- Multiple positions mounting brackets with hardware
- Vibration tested to SAE J575 standard. Corrosion protection tested to ASTM B117 standard.
- Reverse voltage protection
- EMC IP67 RoHs



Dual Lamp Kits with Plug & Go Harness:

PRXLW0300-2K 1 x PRXLW0302 Flood Lamp and 1 x PRXLW0303 Spot Lamp with Female Deutsch Connectors 18 ft harness with 2 mating Male Deutsch receptacles, battery connections, fuse & in dash on/off switch
Packaged in retail box

PRXLW0302-2K 2 x PRXLW0302 Flood Lamps with Female Deutsch Connectors 18 ft harness with 2 mating Male Deutsch receptacles, battery connections, fuse & in dash on/off switch
Packaged in retail box

PRXLW0303-2K 2 x PRXLW0303 Spot Lamps with Female Deutsch Connectors 18 ft harness with 2 mating Male Deutsch receptacles, battery connections, fuse & in dash on/off switch
Packaged in retail box



3" x 3"

700 Lumens

| Part No. | Diodes | Beam Pattern | Voltage | Amp Draw | Optimal Penetration | Pkg |
|------------------|------------|--------------|----------|--------------------------|---------------------|------|
| PRXLW3030 | 4 x 3W LED | Flood | 9V - 36V | 1.20 @ 12V 0.62 @ 24V | 300 ft | Bulk |

PRXLW3030-C PRXLW3030 packaged in retail clamshell

- Lamp Dimension : 2-7/8" W x 3-1/2" H x 1-9/16"D Stud Size : 6M
- LED diode rated life : 30,000 hours (*per manufacturer specifications*)
- High UV resistant polyester powder coated black aluminium housing
- Polycarbonate Lens
- Adjustable stainless steel mounting bracket
- Vibration tested to SAE J575 standard. Corrosion protection tested to ASTM B117 standard.
- Reverse voltage protection
- EMC IP67



A variety of performance LED flood lamps for off-road application. State of the art optic system. High lumen output with low power consumption. Emits natural white light which reduces eye fatigue. Aluminium body has thermal management system to control heat.

4.5" x 4"

840 Lumens



| Part No. | Diodes | Beam Pattern | Voltage | Amp Draw | Optimal Penetration | Pkg |
|------------------|------------|--------------|----------|------------------------|---------------------|------|
| PRXLW5040 | 8 x 1W LED | Flood | 9V - 36V | 0.8 @ 12V 0.5 @ 24V | 400 ft | Bulk |

PRXLW5040-C Packaged in retail clamshell

PRXLW5040-5 PRXLW5040 with Female Deutsch Connector for easy plug into mating Male Deutsch receptacle

PRXLW5040-5C PRXLW5040-5 packaged in retail clamshell



- Lamp dimension : 4-3/8" W x 4-7/8" H x 1-7/8" D Stud size : 5/16"
- LED diode rated life : 30,000 hours (*per manufacturer specifications*)
- High UV resistant polyester powder coated black aluminium housing
- Polycarbonate lens
- Adjustable stainless steel mounting bracket
- Vibration tested to SAE J575 standard. Corrosion protection tested to ASTM B117 standard.
- Reverse voltage protection
- EMC IP67

PRXPT6800-5 10" wire with Male Deutsch receptacle

PRXPT6800-5P PRXPT6800-5 packaged in retail polybag



4" x 4"

1,440 Lumens



| Part No. | Diodes | Beam Pattern | Voltage | Amp Draw | Optimal Penetration | Pkg |
|------------------|------------|--------------|-----------|--------------------------|---------------------|------|
| PRXLW4252 | 6 x 3W LED | Flood | 10V - 30V | 1.27 @ 12V 0.62 @ 24V | 270 ft | Bulk |

PRXLW4252X PRXLW4252 packaged in open face retail box

- Lamp Dimension : 4-3/16" W x 5" H x 1-1/4" D Stud Size : 8M
- LED diode rated life : 30,000 hours (*per manufacturer specifications*)
- High UV resistant polyester powder coated black aluminium housing
- Acrylic lens
- Adjustable stainless steel mounting bracket
- Vibration tested to SAE J575 standard. Corrosion protection tested to ASTM B117 standard.
- Reverse voltage protection
- IP67 RoHs

A variety of performance LED flood lamps for off-road application. State of the art optic system. High lumen output with low power consumption. Emits natural white light which reduces eye fatigue. Aluminium body has thermal management system to control heat.

4" x 4.5"

852 Lumens

| Part No. | Diodes | Beam Pattern | Voltage | Amp Draw | Optimal Penetration | Pkg |
|------------------|-------------|--------------|-----------|------------------------|---------------------|------|
| PRXLW4052 | 12 x 1W LED | Wide Flood | 10V - 30V | 1.2 @ 12V 0.6 @ 24V | 300 ft | Bulk |

PRXLW4052X PRXLW4052 packaged in open face retail box

- Lamp dimension : 3-15/16" W x 5-1/2" H x 3-1/4" D Stud size : 3/8"
- LED diode rated life : 40,000 hours (per manufacturer specifications)
- High UV resistant polyester powder coated black aluminium housing
- Polycarbonate lens
- Adjustable stainless steel mounting bracket
- Vibration tested to SAE J575 standard. Corrosion protection tested to ASTM B117 standard.
- Reverse voltage protection



4" Round

800 Lumens

| Part No. | Diodes | Beam Pattern | Voltage | Amp Draw | Optimal Penetration | Pkg |
|------------------|------------|--------------|-----------|--------------------------|---------------------|------|
| PRXLW4012 | 4 x 3W LED | Flood | 12V - 24V | 1.09 @ 12V 0.59 @ 24V | 380 ft | Bulk |

PRXLW4012-C PRXLW4012 packaged in retail clamshell

- Lamp Dimension : 4-1/4" Dia x 3" D x 4-7/8" H Stud Size : 3/8"
- LED diode rated life : 30,000 hours (per manufacturer specifications)
- Hooded aluminium housing in black finish
- Polycarbonate Lens
- Adjustable zinc plated stainless steel mounting bracket
- Vibration tested to SAE J575 standard. Corrosion protection tested to ASTM B117 standard.
- Reverse voltage protection. Hi/Low voltage input/output protection.
- IP67



4.5" Round

1,260 Lumens

| Part No. | Diodes | Beam Pattern | Voltage | Amp Draw | Optimal Penetration | Pkg |
|------------------|------------|--------------|-----------|--------------------------|---------------------|------|
| PRXLW4602 | 6 x 3W LED | Flood | 12V - 30V | 1.33 @ 12V 0.72 @ 24V | 200 ft | Bulk |

PRXLW4602-C PRXLW4602 packaged in retail clamshell

- Lamp dimension : 4-9/16" Dia. x 5-1/16" H x 1-3/4" D Stud size : 5/16"
- LED diode rated life : 30,000 hours (per manufacturer specifications)
- Hooded high UV resistant polyester powder coated black aluminium housing
- Acrylic lens
- Adjustable stainless steel mounting bracket
- Vibration tested to SAE J575 standard. Corrosion protection tested to ASTM B117 standard.
- Reverse voltage protection
- EMC IP67 RoHs



A variety of performance LED flood lamps for off-road application. State of the art optic system. High lumen output with low power consumption. Emits natural white light which reduces eye fatigue. Aluminium body has thermal management system to control heat.

4.5" Round

1,000 Lumens



| Part No. | Diodes | Beam Pattern | Voltage | Amp Draw | Optimal Penetration | Pkg |
|------------------|------------|--------------|-----------|------------------------|---------------------|------|
| PRXLW4002 | 6 x 3W LED | Flood | 12V - 70V | 1.7 @ 12V 0.8 @ 24V | 400 ft | Bulk |

PRXLW4002X PRXLW4002 packaged in open face retail box

- Lamp dimension : 4-5/8" Dia. x 5-3/8" H x 2-3/4" D Stud size : 3/8"
- LED diode rated life : 50,000 hours (*per manufacturer specifications*)
- High UV resistant polyester powder coated black aluminium housing
- Polycarbonate lens
- Adjustable stainless steel mounting bracket
- Vibration tested to SAE J575 standard. Corrosion protection tested to ASTM B117 standard.
- Reverse voltage protection. Hi/Low voltage input/output protection.
- EMC IP67

4" x 4"

1,300 Lumens



| Part No. | Diodes | Beam Pattern | Voltage | Amp Draw | Optimal Penetration | Pkg |
|------------------|------------|--------------|-----------|------------------------|---------------------|------|
| PRXLW4502 | 6 x 3W LED | Wide Flood | 10V - 80V | 0.8 @ 12V 0.6 @ 24V | 250 ft | Bulk |

PRXLW4502X PRXLW4502 packaged in open face retail box

- Lamp dimension : 4-11/16" Dia. x 5-13/16" H x 2-13/16" D Stud size : 10M
- LED diode rated life : 40,000 hours (*per manufacturer specifications*)
- High UV resistant polyester powder coated black aluminium housing
- Polycarbonate lens
- Adjustable stainless steel mounting bracket
- Vibration tested to SAE J575 standard. Corrosion protection tested to ASTM B117 standard.
- Reverse voltage protection
- EMC

Sales Tips

There's more to choosing LED Lamps than just lumens.

- Focal design is equally important for aiming, shaping and dispersing light.
- Lenses and reflectors create the beam patterns necessary for their intended use and to enhance performance.
- Housing designs combine functionality and durability with the stylish profiles demanded by the off-road and light truck accessory markets.

PROVIX' LED performance lamps come in four basic beam patterns:

1. Spot beam which stays tightly focused for long distances.
2. Flood beam which spreads the available light across a wider path.
3. Wide flood beam which broadly covers the immediate area.
4. Flood/Spot combination beam that has both spot and flood capabilities.

Choose the right lamp for the job.

A variety of performance LED flood lamps for off-road application. State of the art optic system. High lumen output with low power consumption. Emits natural white light which reduces eye fatigue. Aluminium body has thermal management system to control heat.

4.5" Round (Par 36)

260 Lumens

| Part No. | Diodes | Beam Pattern | Voltage | Amp Draw | Optimal Penetration | Pkg |
|------------------|--------|--------------|---------|------------|---------------------|------|
| PRXLW5003 | 19 | Flood | 12V | 0.15 @ 12V | 200 ft | Bulk |

PRXLW5003X PRXLW5003 packaged in open face retail box

- Lamp Dimension : 4-7/8" Dia. x 5-7/8" H x 3" D Stud Size : 5/16"
- LED diode rated life : 20,000 hours (*per manufacturer specifications*)
- Steel reinforced rubber-like high impact synthetic resin housing
- Polycarbonate lens
- Adjustable zinc plated steel mounting bracket
- Vibration tested to SAE J575 standard
- Reverse voltage protection



LED Flood Lamp with Magnetic Base & Cigarette Power Supply Adaptor

PRXLW5003-M Magnetic lamp assembly in bulk pack

PRXLW5003-MX Magnetic lamp assembly in open face retail box

| Part No. | Diodes | Beam Pattern | Voltage | Amp Draw | Optimal Penetration | Pkg |
|-------------------|--------|--------------|---------|------------|---------------------|------|
| PRXLWC5003 | 19 | Flood | 12V | 0.15 @ 12V | 200 ft | Bulk |

PRXLWC5003X PRXLWC5003 packaged in open face retail box

- Lamp Dimension : 4-7/8" Dia. x 6" H x 2-5/8" D Stud Size : 5/16"
- LED diode rated life : 20,000 hours (*per manufacturer specifications*)
- Chrome steel housing
- Polycarbonate lens
- Adjustable zinc plated steel mounting bracket
- Vibration tested to SAE J575 standard
- Reverse voltage protection



LED Lamp Only (without Housing) - LED substitution for Par 36 sealed beam lamp

PRXLED4100-19W Replacement LED lamp for PRXLW5003 and PRXLWC5003

PRXLED4100-19W PRXLW4100-19W packaged in retail polybag



A variety of performance LED spot lamps for off-road application. State of the art optic system. High lumen output with low power consumption. Emits natural white light which reduces eye fatigue. Aluminium body has thermal management system to control heat.

6" Round**4,800 Lumens**

| Part No. | Diodes | Beam Pattern | Voltage | Amp Draw | Optimal Penetration | Pkg |
|------------------|-------------|--------------|----------|--------------------------|---------------------|-----|
| PRXLW6003 | 6 x 10W LED | Spot | 9V - 50V | 4.82 @ 12V 2.42 @ 24V | 1,500 ft | Box |

> Sealed Deutsch Connector (both female & male mating connectors)

- Lamp Dimension : 7-7/16" W x 3-1/4" D x 6" H Stud Size : 10M
- LED diode rated life : 30,000 hours (*per manufacturer specifications*)
- High UV resistant polyester powder coated black aluminium housing
- Acrylic Lens
- Steel bracket & stainless steel hardware
- Vibration tested to SAE J575 standard. Corrosion protection tested to ASTM B117 standard.
- Reverse voltage protection. Hi/Low voltage input/output protection.
- EMC IP68 RoHs

5" x 5"**8,100 Lumens**

| Part No. | Diodes | Beam Pattern | Voltage | Amp Draw | Optimal Penetration | Pkg |
|------------------|-------------|--------------|-----------|--------------------------|---------------------|-----|
| PRXLW5353 | 9 x 10W LED | Spot | 12V - 30V | 5.35 @ 12V 2.72 @ 24V | 2,000 ft | Box |

> Sealed Deutsch Connectors (both female & male mating connectors)

- Lamp Dimension : 5-3/8" W x 6-11/16" H x 4-5/8" D Stud Size : 12M
- LED diode rated life : 30,000 hours (*per manufacturer specifications*)
- High UV resistant polyester powder coated black aluminium housing
- Polycarbonate Lens
- Powder Coated Steel U-Bracket, Stainless Steel Hardware
- Vibration tested to SAE J575 standard. Corrosion protection tested to ASTM B117 standard.
- Reverse voltage protection
- EMC IP68 RoHs

4" Round**400 Lumens**

| Part No. | Diodes | Beam Pattern | Voltage | Amp Draw | Optimal Penetration | Pkg |
|------------------|------------|--------------|-----------|--------------------------|---------------------|------|
| PRXLW4013 | 4 x 3W LED | Spot | 12V - 24V | 1.37 @ 12V 0.69 @ 24V | 900 ft | Bulk |

PRXLW4013-C PRXLW4013 packaged in retail clamshell

> Focal designed for distance light penetration - pencil beam

> Substitution for discontinued model PRXLW4003

- Lamp Dimension : 4-1/4" Dia x 3" D x 4-7/8" H Stud Size : 3/8"
- LED diode rated life : 50,000 hours (*per manufacturer specifications*)
- Hooded aluminium housing in black finish
- Polycarbonate Lens
- Adjustable zinc plated stainless steel mounting bracket
- Vibration tested to SAE J575 standard. Corrosion protection tested to ASTM B117 standard.
- Reverse voltage protection. Hi/Low voltage input/output protection.
- IP67

A variety of performance LED spot lamps for off-road application. State of the art optic system. High lumen output with low power consumption. Emits natural white light which reduces eye fatigue. Aluminium body has thermal management system to control heat.

3" x 3"

1,000 Lumens

| Part No. | Diodes | Beam Pattern | Voltage | Amp Draw | Optimal Penetration | Pkg |
|------------------|------------|--------------|-----------|------------|---------------------|------|
| PRXLW0303 | 4 x 4W LED | Spot | 12V - 30V | 1.16 @ 12V | 680 ft | Bulk |

PRXLW0303-C PRXLW0303 packaged in retail clamshell

- Lamp Dimension : 3-1/4" W x 3-1/4" D x 3" H Stud Size : 8M
- LED diode rated life : 50,000 hours (*per manufacturer specifications*)
- High UV resistant polyester powder coated black aluminium housing
- Polycarbonate Lens
- Multiple positions mounting brackets with hardware
- Vibration tested to SAE J575 standard. Corrosion protection tested to ASTM B117 standard.
- Reverse voltage protection
- EMC IP67 RoHs



Dual Lamp Kits with Plug & Go Harness:

PRXLW0300-2K 1 x PRXLW0302 Flood Lamp and 1 x PRXLW0303 Spot Lamp with Female Deutsch Connectors 18 ft harness with 2 mating Male Deutsch receptacles, battery connections, fuse & in dash on/off switch
Packaged in retail box

PRXLW0302-2K 2 x PRXLW0302 Flood Lamps with Female Deutsch Connectors
18 ft harness with 2 mating Male Deutsch receptacles, battery connections, fuse & in dash on/off switch
Packaged in retail box

PRXLW0303-2K 2 x PRXLW0303 Spot Lamps with Female Deutsch Connectors
18 ft harness with 2 mating Male Deutsch receptacles, battery connections, fuse & in dash on/off switch
Packaged in retail box



5" x 3"

729 Lumens

| Part No. | Diodes | Beam Pattern | Voltage | Amp Draw | Optimal Penetration | Pkg |
|------------------|-------------|--------------|-----------|------------------------|---------------------|------|
| PRXLW5043 | 2 x 10W LED | Spot | 10V - 30V | 1.4 @ 12V 0.7 @ 24V | 500 ft | Bulk |

PRXLW5043X PRXLW5043 packaged in open face retail box

- Lamp dimension : 5-1/8" W x 3-15/16" H x 2-13/16" D Stud size : 10M
- LED diode rated life : 40,000 hours (*per manufacturer specifications*)
- High UV resistant polyester powder coated black aluminium housing
- Polycarbonate lens
- Adjustable stainless steel mounting bracket
- Vibration tested to SAE J575 standard. Corrosion protection tested to ASTM B117 standard.
- Reverse voltage protection
- EMC



A variety of performance LED spot lamps for off-road application. State of the art optic system. High lumen output with low power consumption. Emits natural white light which reduces eye fatigue. Aluminium body has thermal management system to control heat.

4.5" Round

1,260 Lumens



| Part No. | Diodes | Beam Pattern | Voltage | Amp Draw | Optimal Penetration | Pkg |
|------------------|------------|--------------|-----------|--------------------------|---------------------|------|
| PRXLW4603 | 6 x 3W LED | Spot | 12V - 30V | 1.49 @ 12V 0.73 @ 24V | 300 ft | Bulk |

PRXLW4603-C PRXLW4603 packaged in retail clamshell

- Lamp dimension : 4-9/16" Dia. x 5-1/16" H x 1-3/4" D Stud size : 5/16"
- LED diode rated life : 30,000 hours (*per manufacturer specifications*)
- Hooded High UV resistant polyester powder coated black aluminium housing
- Acrylic lens
- Adjustable stainless steel mounting bracket
- Vibration tested to SAE J575 standard. Corrosion protection tested to ASTM B117 standard.
- Reverse voltage protection
- EMC IP67 RoHs



| Part No. | Diodes | Beam Pattern | Voltage | Amp Draw | Optimal Penetration | Pkg |
|---------------------|--------|--------------|---------|----------|---------------------|-----|
| PRXLW3513-BU | | | | | | |

Tips to maximize the life of your lamps:

1. Keep lamps clean, free of mud and dirt. The lamps are designed to dissipate heat. If the lamp is covered with mud, the mud acts as an insulator, the lamps will heat up, and the LED diodes will dim. It will shorten the life of the LED diodes.
2. Polycarbonate lens are unbreakable under normal conditions. However, polycarbonate is very soft and flexible to absorb impact. Use of harsh chemicals for cleaning the lens is not recommended. Use a mild detergent solution only and soft wipes to avoid scratches.
3. Avoid electrical shorts. Voltage spikes can destroy LED diodes. It is recommended that connections be insulated to avoid shorting between positive and negative terminals.
4. IP ratings are for the lamps only. The use of waterproof connections are required to maintain a waterproof installation.
5. Lamps without hi/low voltage protection can be damaged if they are connected directly to a battery or to a system that does not have a voltage regulator. If there is no voltage regulator, lamps should be disconnected if you are jump starting or charging a system. Also, several hours of using lamps at lower than stated voltage can harm the LED diodes. If lamps fail to operate, please check voltage. If voltage is low, disconnect lamps until the system is charged to standard voltage.
6. Lamps should be fused to protect circuits.

40" LED Warning Light Stick - Multiple Pattern

| Part No. | Diodes Colour | Diodes | Lens Colour | Flash Pattern | Voltage | Amps | Pkg |
|------------|---------------|---------|-------------|---------------|-----------|------------|-----|
| PRXE-2940A | Amber | 32 x 1W | Amber | 8 Patterns | 12V - 30V | 4.03 @ 12V | Box |



- Lamp Dimension : 40"L x 2"H x 2-1/2" D [3" D mounted]
- Aluminium Light Bar with Polycarbonate Lens
- Mounts with "L" or "T" Brackets (included)
- Comes with Control Box for Flash Selection
- 12.8 ft Wire from the Light Bar & 10" Wire from the Control box
- IP 65
- Full Unit Quad Flash & Left/Right Alternating Single Flash

LED Warning Light Set with Small Arrows - Multiple Pattern

| Part No. | Diodes Colour | Diodes | Lens Colour | Flash Pattern | Voltage | Amps | Pkg |
|------------|---------------|---------|-------------|---------------|-----------|------------|-----|
| PRXE-2980A | Amber | 48 x 1W | Amber | 8 Patterns | 12V - 30V | 4.62 @ 12V | Box |



- Lamp Dimension : 45-1/4"L x 10"H x 2-1/2" D [3" D mounted]
- Aluminium Light Bar with Polycarbonate Lens
- Mount with "L" or "T" Brackets (included)
- Comes with Control Box for Flash Selection
- 12.8 ft Wire from the Light Bar & 10" Wire from the Control box
- Foldable Arrows for Easy Storage
- IP 65
- Full Unit Quad Flash & Left/Right Alternating Single Flash

LED Warning Light Set with Large Arrows - Multiple Pattern

| Part No. | Diodes Colour | Diodes | Lens Colour | Flash Pattern | Voltage | Amps | Pkg |
|------------|---------------|---------|-------------|---------------|-----------|------------|-----|
| PRXE-2990A | Amber | 64 x 1W | Amber | 8 Patterns | 12V - 30V | 4.95 @ 12V | Box |



- Lamp Dimension : 45-1/4"L x 17-1/2"H x 2-1/2" D [3" D mounted]
- Aluminium Light Bar with Polycarbonate Lens
- Mount with "L" or "T" Brackets (included)
- Comes with Control Box for Flash Selection
- 12.8 ft Wire from the Light Bar & 10" Wire from the Control box
- Foldable Arrows for Easy Storage
- IP 65
- Full Unit Quad Flash & Left/Right Alternating Single Flash

| Part No. | Replacement Accessories for PRXE-2940A, PRXE-2980A & PRXE-2990A | Pkg |
|-----------|---|------|
| PRXE-F291 | Replacement Control Box | Bulk |
| PRXE-F292 | Replacement "L" Bracket (sold in pairs) | Bag |
| PRXE-F293 | Replacement "T" Bracket (sold in pairs) | Bag |
| PRXE-F297 | 13 ft Extension Wire w/ Connectors | Bulk |
| PRXE-F298 | 33 ft Extension Wire w/ Connectors | Bulk |

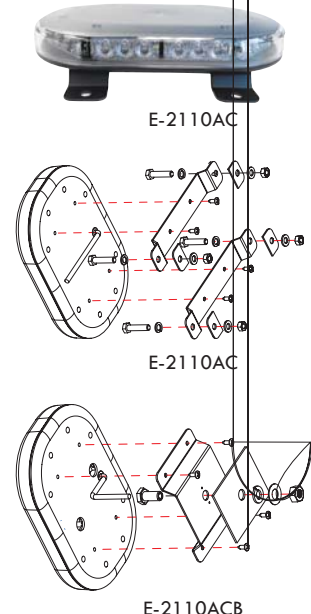
9.75" Compact LED - Multiple Pattern

Permanent Mount Models

| Part No. | Diodes Colour | Diodes | Lens Colour | Flash Pattern | Voltage | Amps | Pkg |
|--------------|---------------|---------|-------------------------------------|---------------|-----------|-----------|-----|
| PRXE-2110AC | Amber | 30 x 1W | Clear | 23 Patterns | 12V - 24V | 3.8 @ 12V | Box |
| | Mounting Type | | 2 Mounting Brackets with Lead Wires | | | | |
| PRXE-2110ACB | Amber | 30 x 1W | Clear | 23 Patterns | 12V - 24V | 3.8 @ 12V | Box |
| | Mounting Type | | Single Bolt Bracket with Lead Wires | | | | |

- Lamp Dimension : 9.75" L x 6.77" W x 1.45" H [2" H mounted]
- Polycarbonate Lens & Base
- EMC IPX5
- **SAE J845 Class 1** on all lamp single, quint & ultra flashes
- **SAE J845 Class 2** on all lamp double & quad flashes & 360° rotating flash

| Part No. | Accessories for PRXE-2110AC & PRXE-2110ACB | Pkg |
|-----------|---|------------|
| PRXF-S955 | Fuse/Switch Kit consisting of: PRXST100 On/Off Toggle Switch, PRXST105 On-Off-Momentary On Toggle Switch, PRXATM05 5 Amps Mini Fuse & PRXATMF14C In-Line Fuse Holder w/ Cover | Retail Bag |
| PRXE-F212 | Replacement Brackets (sold in pairs) for PRXE-2110AC | Bulk |
| PRXE-F211 | Replacement Bracket for PRXE-2110ACB | Bulk |



Magnetic Mount Model

| Part No. | Diodes Colour | Diodes | Lens Colour | Flash Pattern | Voltage | Amps | Pkg |
|--------------|---------------|---------|-------------|---------------|-----------|-----------|-----|
| PRXE-2110ACM | Amber | 30 x 1W | Clear | 23 Patterns | 12V - 24V | 3.8 @ 12V | Box |

- Lamp Dimension : 9.75" L x 6.77" W x 1.45" H [1-13/16" H mounted]
- Polycarbonate Lens & Base
- 4-Magnet Mount, Fused Cigarette Power Adaptor with On/Off Switch, Flash Selection Switch & 9.8 ft of Wire
- EMC IPX5
- **SAE J845 Class 1** on all lamp single, quint & ultra flashes
- **SAE J845 Class 2** on all lamp double & quad flashes & 360° rotating flash



15" LED Quad Flash (alternating left & right)

Low profile, slim line, aluminium light bar with high output LED diodes.

Magnetic Mount Model

| Part No. | Diodes Colour | Diodes | Lens Colour | Flash Pattern | Voltage | Amps | Pkg |
|-------------|---------------|---------|-------------|-------------------------------|-----------|------------|-----|
| PRXE-2150AM | Amber/Amber | 32 x 1W | Amber | Quad Alternating Left & Right | 12V - 30V | 0.74 @ 12V | Box |

- Lamp Dimension : 15" L x 3-11/16" W x 1-7/16" H [2-3/16" H mounted]
- Aluminium Light Bar with Polycarbonate Lens
- 2 Magnets with Suction Cups
- Fused Cigarette Power Adaptor with On/Off Switch & 12.5 ft of Wire
- EMC IP65
- **SAE J595 Class 1** (Front & Rear Directional)



14" Compact LED - Multiple Pattern

Low profile but powerful 360° LED Warning Light Bars. Very bright and complies with SAE Class 1 Standards.

Permanent Mount Model

| Part No. | Diodes Colour | Diodes | Lens Colour | Flash Pattern | Voltage | Amps | Pkg |
|-------------|---------------|---------|-------------|---------------|-----------|-----------|-----|
| PRXE-2140AC | Amber | 24 x 1W | Clear | 23 Patterns | 12V - 24V | 3.8 @ 12V | Box |



E-2140AC

- Lamp Dimension : 14" L x 8" W x 2" H
- Polycarbonate Lens & Base
- 1-Bolt Mounting Brackets with Lead Wires
- EMC IPX4K
- **SAE J845 Class 1** on flashes

| Part No. | Accessories for PRXE-2140A | Pkg |
|-----------|---|------------|
| PRXF-S955 | Fuse/Switch Kit consisting of: PRXST100 On/Off Toggle Switch, PRXST105 On-Off-Momentary On Toggle Switch, PRXATM05 5 Amps Mini Fuse & PRXATMF14C In-Line Fuse Holder w/ Cover | Retail Bag |

Magnetic Mount Model

| Part No. | Diodes Colour | Diodes | Lens Colour | Flash Pattern | Voltage | Amps | Pkg |
|--------------|---------------|---------|-------------|---------------|-----------|-----------|-----|
| PRXE-2140ACM | Amber | 24 x 1W | Clear | 23 Patterns | 12V - 24V | 3.8 @ 12V | Box |



E-2140ACM

- Lamp Dimension : 14" L x 8" W x 2" H
- Polycarbonate Lens & Base
- 2-Magnet Mount, Fused Cigarette Power Adaptor with On/Off Switch, Flash Selection Switch & 9.8 ft of Wire
- EMC IPX4K
- **SAE J845 Class 1** on 3 flashes

16.5" LED Multiple Pattern

Permanent Mount Mode

| Part No. | Diodes Colour | Diodes | Lens Colour | Flash Pattern | Voltage | Amps | Pkg |
|------------|---------------|---------|-------------|---------------|---------|------------|-----|
| PRXE-2160A | Amber | 18 x 1W | Amber | 23 Patterns | 12V | 3.07 @ 12V | Box |



E-2160A

- Lamp Dimension : 16-5/8" L x 10-7/8" W x 3" H [3-3/4" H mounted]
- Polycarbonate Lens & Base
- 2 Mounting Brackets with Lead Wires
- EMC IPX5
- **SAE J845 Class 1** on all lamp single & quint flashes
- **SAE J845 Class 2** on all lamp double, quad & ultra flashes

PRXE-F216

| Part No. | Accessories for PRXE-2160A | Pkg |
|-----------|--|------------|
| PRXF-S975 | Fuse/Switch Kit consisting of: ST100 On/Off Toggle Switch, ST105 On-Off-Momentary On Toggle Switch, ATM075 7.5 Amps Mini Fuse & ATMF14C In-Line Fuse Holder w/ Cover | Retail Bag |

16.5" LED Multiple Pattern

Magnetic Mount Model

| Part No. | Diodes Colour | Diodes | Lens Colour | Flash Pattern | Voltage | Amps | Pkg |
|-------------|---------------|---------|-------------|---------------|---------|------------|-----|
| PRXE-2160AM | Amber | 18 x 1W | Amber | 19 Patterns | 12V | 3.07 @ 12V | Box |

- Lamp Dimension : 16-5/8" L x 6-3/8" W x 3" H [3-1/2" H mounted]
- Polycarbonate Lens & Base
- 4-Magnet Mount, Fused Cigarette Power Adaptor with On/Off Switch, Flash Selection Switch & 11.5 ft of Wire
- EMC IPX5
- **SAE J845 Class 1** on all lamp single & quint flashes
- **SAE J845 Class 2** on all lamp double, quad & ultra flashes



E-2160AM

16.5" LED Quad Flash (alternating left & right)

Permanent Mount Models

| Part No. | Diodes Colour | Diodes | Dome/Lens Colour | Flash Pattern | Voltage | Amps | Pkg |
|------------|---------------|---------|------------------|-------------------------------|-----------|------------|-----|
| PRXE-280AA | Amber/Amber | 32 x 1W | Amber | Quad Alternating Left & Right | 12V - 30V | 1.13 @ 12V | Box |
| PRXE-280AC | Amber/Amber | 32 x 1W | Clear | Quad Alternating Left & Right | 12V - 30V | 1.13 @ 12V | Box |
| PRXE-280AW | Amber/White | 32 x 1W | Clear | Quad Alternating Left & Right | 12V - 30V | 1.13 @ 12V | Box |

- Lamp Dimension : 16-1/2" L x 8-1/16" W x 4-3/16" H
- Sturdy ABS Base with Polycarbonate Dome & Lens
- Mounting centres 12-5/8" by 6"
- EMC IP65
- E-280AA and E-280AC - **SAE J595 Class 1** (Front & Rear Directional)



E-280AA



E-280AC /E-280AW

| Part No. | Accessories for PRXE-280AA, E-280AC & E-280AW | Pkg |
|-----------|---|------------|
| PRXF-S950 | Fuse/Switch Kit consisting of: PRXST100 On/Off Toggle Switch, PRXATM05 5 Amps Mini Fuse & PRXATMF14C In-Line Fuse Holder w/ Cover | Retail Bag |

Magnetic Mount Models

| Part No. | Diodes Colour | Diodes | Dome/Lens Colour | Flash Pattern | Voltage | Amps | Pkg |
|-------------|---------------|---------|------------------|-------------------------------|-----------|------------|-----|
| PRXE-280AAM | Amber/Amber | 32 x 1W | Amber | Quad Alternating Left & Right | 12V - 30V | 1.13 @ 12V | Box |
| PRXE-280ACM | Amber/Amber | 32 x 1W | Clear | Quad Alternating Left & Right | 12V - 30V | 1.13 @ 12V | Box |
| PRXE-280AWM | Amber/White | 32 x 1W | Clear | Quad Alternating Left & Right | 12V - 30V | 1.13 @ 12V | Box |

- Lamp Dimension : 16-1/2" L x 8-1/16" W x 4-3/16" H [4-1/2" H mounted]
- Sturdy ABS Base with Polycarbonate Dome & Lens
- 2 Magnets with Suction Cups
- Fused Cigarette Power Adaptor with On/Off Switch & 11 ft of Wire
- EMC IP65
- E-280AAM and E-280ACM - **SAE J595 Class 1** (Front & Rear Directional)



E-280AAM



E-280ACM / E-280AWM

Low profile, slim line, aluminium light bar with high output LED diodes. Available in 23" and 45" lengths.

23" LED Multiple Pattern

Permanent Mount Model

| Part N | Diodes Colour | Diodes | Lens Colour | Flash Pattern | Voltage | Amps | Pkg |
|------------|---------------|---------|-------------|---------------|-----------|------------|-----|
| PRXE-2230A | Amber/Amber | 40 x 1W | Amber | 8 Patterns | 12V - 30V | 3.49 @ 12V | Box |



E-2230A

- Lamp Dimension : 23" L x 3-11/16" W x 1-7/16" H [3-7/8" H mounted w/ brackets]
- Aluminium Light Bar with Polycarbonate Lens
- Complete with adjustable mounting brackets and control box for flash pattern selection
- 12 ft Wire from the Light Bar & 6" Wire from the Control box
- ECM IP65
- **SAE J595** (Front & Rear Directional) - **Class 1** on 1 flash & Class 2 on other flashes

PRXE-2232AM



E-F200-8



E-F255

| Part No. | Accessories for PRXE-2230A | Pkg |
|-------------|---|------------|
| PRXE-F255 | Low Profile Aluminium Brackets (sold in pairs) to reach mounted height of 2" only Bracket Dimension : 5-3/16" L x 3/4" W x 9/16" H Mounting Holes : Two 7/32" holes at 4-3/4" centres | Retail Bag |
| PRXE-F065-8 | 6.5 ft Extension Wires w/ Connectors (8-Pin) for PRXE-2230A | Bulk |
| PRXE-F260-8 | 26 ft Extension Wires w/ Connectors (8-Pin) for PRXE-2230A | Bulk |
| PRXE-F200-8 | Replacement Control Box (8-Pin) | Bulk |
| PRXE-F250 | Replacement Mounting Brackets (sold in pairs) | Bulk |

Magnetic Mount Models

| Part No. | Diodes Colour | Diodes | Lens Colour | Flash Pattern | Voltage | Amps | Pkg |
|--------------|---------------|--------|-------------|---------------|-----------|------------|-----|
| PRXE-2232AM | Amber/Amber | 40 x | Amber | 12 Patterns | 12V - 30V | 0.92 @ 12V | Box |
| PRXE-2232ACM | Amber/Amber | 40 x | Clear | 12 patterns | 12V - 30V | 0.92 @ 12V | Box |
| PRXE-2232AWM | Amber/White | 40 x | Clear | 12 Patterns | 12V - 30V | 1.61 @ 12V | Box |



E-2232AM



E-2232ACM / E-2232AWM

- Lamp Dimension : 23" L x 3-11/16" W x 1-7/16" H [2-3/16" H mounted]
- Aluminium Light Bar with Polycarbonate Lens
- 2 Magnets with Suction Cups
- Fused Cigarette Power Adaptor with Switch for Flash Pattern Selection & 12.5 ft of Wire
- EMC IP65

45" LED Multiple Pattern

Permanent Mount Model

| Part No. | Diodes Colour | Diodes | Lens Colour | Flash Pattern | Voltage | Amps | Pkg |
|------------|---------------|---------|-------------|---------------|-----------|------------|-----|
| PRXE-2450A | Amber/Amber | 72 x 1W | Amber | 8 Patterns | 12V - 30V | 5.55 @ 12V | Box |



E-2450A

- Lamp Dimension : 45" L x 3-11/16" W x 1-7/16" H [3-7/8" H mounted w/ brackets]
- Aluminium Light Bar with Polycarbonate Lens
- Complete with adjustable mounting brackets and control box for flash pattern selection
- 12 ft Wire from the Light Bar & 6" Wire from the Control box
- EMC IP65
- **SAE J595** (Front & Rear Directional) - **Class 1** on 1 flash & Class 2 on other flashes



E-F200-8



E-F700-2 Mounted



E-F255

| Part No. | Accessories for PRXE-2450A | Pkg |
|-------------|---|------------|
| PRXE-F700-2 | Plated Steel Extension Plate (sold in pairs) to extend length of light bar to fit larger pick up trucks, such as Ford 250 Plate Dimension : 16" L x 2" W | Bulk |
| PRXE-F255 | Low Profile Aluminium Brackets (sold in pairs) to reach mounted height of 2" only Bracket Dimension : 5-3/16" L x 3/4" W x 9/16" H Mounting Holes : Two 7/32" holes at 4-3/4" centres | Retail Bag |
| PRXE-F065-8 | 6.5 ft Extension Wires w/ Connectors (8-Pin) for PRXE-2450A | Bulk |
| PRXE-F260-8 | 26 ft Extension Wires w/ Connectors (8-Pin) for PRXE-2450A | Bulk |
| PRXE-F200-8 | Replacement Control Box (8-Pin) | Bulk |
| PRXE-F250 | Replacement Mounting Brackets (sold in pairs) | Bulk |

Compact Low Profile - Multiple Pattern

Compact but powerful directional LED Warning Lights. Low profile - about 3/4" in height. Very bright and complies with SAE Class 1 standards. Various mounting brackets available for PRXE-915 series - easily mounts on every application : surface mount, grill mount, dash mount or head liner mount.

| Part No. | Diodes Colour | Diodes | Lens Colour | Flash Pattern | Voltage | Amps | Pkg |
|------------|---------------|--------|-------------|---------------|-----------|------------|------------|
| PRXE-915AA | Amber/Amber | 6 | Clear | 19 Patterns | 12V - 24V | 0.50 @ 12V | Retail Bag |
| PRXE-915AW | Amber/White | 6 | Clear | 19 Patterns | 12V - 24V | 0.70 @ 12V | Retail Bag |
| PRXE-915WW | White/White | 6 | Clear | 19 Patterns | 12V - 24V | 0.80 @ 12V | Retail Bag |
| PRXE-915BB | Blue/Blue | 6 | Clear | 19 Patterns | 12V - 24V | 0.57 @ 12V | Retail Bag |
| PRXE-915BR | Blue/Red | 6 | Clear | 19 Patterns | 12V - 24V | 0.55 @ 12V | Retail Bag |
| PRXE-915GG | Green/Green | 6 | Clear | 19 Patterns | 12V - 24V | 0.46 @ 12V | Retail Bag |
| PRXE-915RR | Red/Red | 6 | Clear | 19 Patterns | 12V - 24V | 0.61 @ 12V | Retail Bag |



E-915 Side



E-915

- Lamp Dimension : 5" L x 1" W x 11/16" H
- Black Powder Coated Aluminium Base & Polycarbonate Lens
- Surface mount - 2 holes @ 4-3/4" centres
- Lights can be synchronized using yellow wire
- EMC IPX7
- E-915AA, E-915WW, E-915BB and E-915RR :
SAE J595 Class 1 on 5 flashes

| Part No. | Accessories for PRXE-915 series | Pkg |
|------------|---|------------|
| PPRXF-S935 | Fuse/Switch Kit consisting of: PRXST100 On/Off Toggle Switch, PRXST108 Momentary On-Off Toggle Switch PRXATS03 3 Amps Standard Fuse & PRXATSF14C In-Line Fuse Holder w/ Cover | Retail Bag |
| PRXE-F951 | "L" Bracket for mounting single PRXE-915 | Bulk |
| PRXE-F952 | "L" Bracket for mounting double PRXE-915 | Bulk |
| PRXE-F953 | "T" Bracket for mounting PRXE-915 | Bulk |
| PRXE-F954 | Adjustable Swivel Bracket | Bulk |



E-F951



E-F952



E-F953



E-F954

| Part No. | Diodes Colour | Diodes | Lens Colour | Flash Pattern | Voltage | Amps | Pkg |
|-----------|---------------|--------|-------------|---------------|-----------|------------|------------|
| PRXE-913A | Amber | 3 | Clear | 12 Patterns | 12V - 24V | 0.29 @ 12V | Retail Bag |
| PRXE-913W | White | 3 | Clear | 12 Patterns | 12V - 24V | 0.42 @ 12V | Retail Bag |



E-913

- Lamp Dimension : 3-5/16" L x 1-1/8" W x 11/16" H
- Black Powder Coated Aluminium Base & Polycarbonate Lens
- Surface mount - 2 holes @ 3-1/16" centres
- Lights can be synchronized using yellow wire
- EMC IPX7
- **SAE J595 Class 2** on 7 flashes

| Part No. | Accessories for PRXE-913 series | Pkg |
|------------|--|------------|
| PPRXF-S935 | Fuse/Switch Kit consisting of: PRXST100 On/Off Toggle Switch, PRXST108 Momentary On-Off Toggle Switch PRXATS03 3 Amps Standard Fuse, PRXATSF14C In-Line Fuse Holder w/ Cover | Retail Bag |

LED Quad Flash (Strobe)



E-950A



E-950CA



E-950G



E-950CG



E-950B



E-950CW



E-950R

| Part No. | Diodes Colour | Diodes | Lens Colour | Flash Pattern | Voltage | Amps | Pkg |
|-------------------|---------------|--------|-------------|---------------|----------|------------|------------|
| PRXE-950A | Amber | 4 | Amber | Quad | 9V - 36V | 0.40 @ 12V | Retail Bag |
| PRXE-950CA | Amber | 4 | Clear | Quad | 9V - 36V | 0.40 @ 12V | Retail Bag |

- Lamp Dimension : 4-3/4" L x 1-7/8" W x 1-5/8" H
- Aluminium Die Cast Base & Polycarbonate Lens
- Surface mount - 2 holes @ 4-1/2" centres
- EMC IP67
- **SAE J595 Class 2**

| Part No. | Diodes Colour | Diodes | Lens Colour | Flash Pattern | Voltage | Amps | Pkg |
|-------------------|---------------|--------|-------------|---------------|----------|------------|------------|
| PRXE-950G | Green | 4 | Green | Quad | 9V - 36V | 0.40 @ 12V | Retail Bag |
| PRXE-950CG | Green | 4 | Clear | Quad | 9V - 36V | 0.40 @ 12V | Retail Bag |

- Lamp Dimension : 4-3/4" L x 1-7/8" W x 1-5/8" H
- Aluminium Die Cast Base & Polycarbonate Lens
- Surface mount - 2 holes @ 4-1/2" centres
- EMC IP67

| Part No. | Diodes Colour | Diodes | Lens Colour | Flash Pattern | Voltage | Amps | Pkg |
|-------------------|---------------|--------|-------------|---------------|----------|------------|------------|
| PRXE-950B | Blue | 4 | Blue | Quad | 9V - 36V | 0.30 @ 12V | Retail Bag |
| PRXE-950CW | White | 4 | Clear | Quad | 9V - 36V | 0.40 @ 12V | Retail Bag |
| PRXE-950R | Red | 4 | Red | Quad | 9V - 36V | 0.30 @ 12V | Retail Bag |

- Lamp Dimension : 4-3/4" L x 1-7/8" W x 1-5/8" H
- Aluminium Die Cast Base & Polycarbonate Lens
- Surface mount - 2 holes @ 4-1/2" centres
- EMC IP67
- **SAE J595 Class 2**

| Part No. | Accessories for PRXE-950 Series | Pkg |
|------------------|---|------------|
| PRXF-S950 | Fuse/Switch Kit consisting of: PRXST100 On/Off Toggle Switch, PRXATM05 5 Amps Mini Fuse & PRXATMF14C In-Line Fuse Holder w/ Cover | Retail Bag |

LED White Steady Utility Light



E-955C

| Part No. | Diodes Colour | Diodes | Lens Colour | Pattern | Voltage | Amps | Pkg |
|------------------|---------------|--------|-------------|---------|---------|------|------------|
| PRXE-955C | White | 4 | Clear | Steady | 12V | 0.50 | Retail Bag |

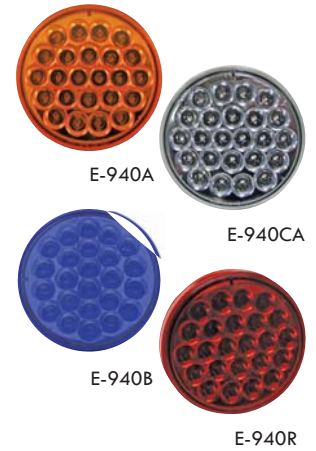
- Lamp Dimension : 4-3/4" L x 1-7/8" W x 1-5/8" H
- Aluminium Die Cast Base & Polycarbonate Lens
- Surface mount - 2 holes @ 4-1/2" centres
- IP67

4" Round LED Quad Flash (Strobe)

PRXE-940 has the same dimension as a 4" tail lamp. Use regular open or closed back grommets and double contact pigtails. Convenient and easy to install. Lamp kits with grommet, pigtail & mounting bracket available for instant installation. Also available in rubber housing just like a work lamp for permanent mount or magnetic mount.

| Part No. | Diodes Colour | Diodes | Lens Colour | Flash Pattern | Voltage | Amps | Pkg |
|------------|---------------|--------|-------------|---------------|----------|------------|------------|
| PRXE-940A | Amber | 24 | Amber | Quad | 9V - 36V | 0.38 @ 12V | Retail Bag |
| PRXE-940CA | Amber | 24 | Clear | Quad | 9V - 36V | 0.38 @ 12V | Retail Bag |
| PRXE-940B | Blue | 24 | Blue | Quad | 9V - 36V | 0.38 @ 12V | Retail Bag |
| PRXE-940R | Red | 24 | Red | Quad | 9V - 36V | 0.38 @ 12V | Retail Bag |

- Lamp Dimension : 4-1/4" Dia x 1-3/4" H
- Polycarbonate Lens & Body
- EMC IP67
- SAE J595 Class 2



| Part No. | Kits for Instant Installation: | Pkg |
|---------------|---|------------|
| PRXE-940A-K | with Open Back Grommet & Double Contact Pigtail | Retail Bag |
| PRXE-940CA-K | with Open Back Grommet & Double Contact Pigtail | Retail Bag |
| PRXE-940B-K | with Open Back Grommet & Double Contact Pigtail | Retail Bag |
| PRXE-940R-K | with Open Back Grommet & Double Contact Pigtail | Retail Bag |
| PRXE-940A-KM | with Black Steel Mounting Bracket, Open Back Grommet & Double Contact Pigtail | Retail Bag |
| PRXE-940CA-KM | with Black Steel Mounting Bracket, Open Back Grommet & Double Contact Pigtail | Retail Bag |
| PRXE-940B-KM | with Black Steel Mounting Bracket, Open Back Grommet & Double Contact Pigtail | Retail Bag |
| PRXE-940R-KM | with Black Steel Mounting Bracket, Open Back Grommet & Double Contact Pigtail | Retail Bag |



| Part No. | Rubber Lamp Assembly | Pkg |
|-------------|----------------------|------------|
| PRXEH-940A | | Retail Bag |
| PRXEH-940CA | | Retail Bag |
| PRXEH-940B | | Retail Bag |
| PRXEH-940R | | Retail Bag |



| Part No. | Magnetic Mount Rubber Lamp Assembly | Pkg |
|--------------|--|------------|
| PRXEHM-940A | in Rubber Housing with Magnetic Base & Fused Cigarette Power Adaptor | Retail Bag |
| PRXEHM-940CA | in Rubber Housing with Magnetic Base & Fused Cigarette Power Adaptor | Retail Bag |
| PRXEHM-940B | in Rubber Housing with Magnetic Base & Fused Cigarette Power Adaptor | Retail Bag |
| PRXEHM-940R | in Rubber Housing with Magnetic Base & Fused Cigarette Power Adaptor | Retail Bag |



| Part No. | Accessories for PRXE-940 series | Pkg |
|-----------|--|------------|
| PRXF-S950 | Fuse/Switch Kit consisting of: PRXST100 On/Off Taggle Switch, PRXATM05 5 Amps Mini Fuse & PRXATMF14C In-Line Fuse Holder w/ Cover | Retail Bag |

PRXE-920 & PRXE-921 are the same dimensions as an oval tail lamp. Use regular open or closed back grommets and double contact pigtails. Convenient and easy to install. Lamp kits with grommet, pigtail & mounting bracket available for instant installation.

Oval LED Quad Flash (Strobe)



E-920A



E-920CA



E-920B



-920R

| Part No. | Diodes Colour | Diodes | Lens Colour | Flash Pattern | Voltage | Amps | Pkg |
|------------|---------------|--------|-------------|---------------|----------|------------|------------|
| PRX-920A | Amber | 24 | Amber | Quad | 9V - 36V | 0.38 @ 12V | Retail Bag |
| PRXE-920CA | Amber | 24 | Clear | Quad | 9V - 36V | 0.38 @ 12V | Retail Bag |
| PRXE-920B | Blue | 24 | Blue | Quad | 9V - 36V | 0.38 @ 12V | Retail Bag |
| PRXE-920R | Red | 24 | Red | Quad | 9V - 36V | 0.38 @ 12V | Retail Bag |

- Lamp Dimension : 6-1/2" L x 2-1/4" W x 1-3/4" H
- Polycarbonate Lens & Body
- EMC IP67
- **SAE J595 Class 2**



E-920R-K



E-920A-KM



E-920CA-KM

| Part No. | Kits for Instant Installation: | Pkg |
|--------------|---|------------|
| PRXE-920A-K | with Open Back Grommet & Double Contact Pigtail | Retail Bag |
| PRXE-920CA-K | with Open Back Grommet & Double Contact Pigtail | Retail Bag |
| PRXE-920B-K | with Open Back Grommet & Double Contact Pigtail | Retail Bag |
| PRXE-920R-K | with Open Back Grommet & Double Contact Pigtail | Retail Bag |
| PRXE-920A-KM | with Black Steel Mounting Bracket, Open Back Grommet & Double Contact Pigtail | Retail Bag |
| PRXE-92 A-KM | with Black Steel Mounting Bracket, Open Back Grommet & Double Contact Pigtail | Retail Bag |
| PRXE-92 B-KM | with Black Steel Mounting Bracket, Open Back Grommet & Double Contact Pigtail | Retail Bag |
| PRXE-92 R-KM | with Black Steel Mounting Bracket, Open Back Grommet & Double Contact Pigtail | Retail Bag |

| Part No. | Accessories for E-920 series | Pkg |
|-----------|--|------------|
| PRXF-S950 | Fuse/Switch Kit consisting of: PRXST100 On/Off Toggle Switch, PRXATM05 5 Amps Mini Fuse & PRXATMF14C In-Line Fuse Holder w/ Cover | Retail Bag |

Oval LED Sequential Flashing (Arrows)



E-921A

| Part No. | Diodes Colour | Diodes | Lens Colour | Flash Pattern | Voltage | Amps | Pkg |
|-----------|---------------|--------|-------------|---------------|----------|------------|------------|
| PRXE-921A | Amber | 35 | Amber | Sequential | 9V - 36V | 0.38 @ 12V | Retail Bag |

- Lamp Dimension : 6-1/2" L x 2-1/4" W x 2" H
- Polycarbonate Lens & Body
- Sequential Flash Fills Lamp and Repeats
- EMC IP67



-921A-K



E-921A-KM

| Part No. | Kits for Instant Installation: | Pkg |
|--------------|--|------------|
| PRXE-921A-K | E-921A with Open Back Grommet & Double Contact Pigtail | Retail Bag |
| PRXE-921A-KM | E-921A with Black Steel Mounting Bracket, Open Back Grommet & Double Contact Pigtail | Retail Bag |

| Part No. | Accessories for E-921 series | Pkg |
|-----------|--|------------|
| PRXF-S950 | Fuse/Switch Kit consisting of: PRXST100 On/Off Toggle Switch, PRXATM05 5 Amps Mini Fuse & PRXATMF14C In-Line Fuse Holder w/ Cover | Retail Bag |

Heavy Duty LED Quad Flash (Strobe)

| Part No. | Colour | Diodes | Flash Pattern | Voltage | Amps | Pkg |
|-------------------|--------|----------------------|---------------|-----------|------------|-----|
| PRXE-888AC | Amber | 8 High Output Diodes | Quad | 12V - 40V | 1.30 @ 12V | Box |

- Lamp Dimension : 7-1/2" H x 8-3/4" Base Dia
- Aluminium Base with Polycarbonate Amber Lens & Clear Dome
- Mounting Options : 3-1/2" center or 7" center
- IP65
- **SAE J845 Class 1**



E-888AC

| Part No. | Colour | Diodes | Flash Pattern | Voltage | Amps | Pkg |
|-------------------|--------|--------|---------------|---------|------|-----|
| PRXE-880AC | Amber | 120 | Quad | 12V | 0.87 | Box |

- Lamp Dimension : 7-1/2" H x 8-3/4" Base Dia
- Aluminium Base with Polycarbonate Amber Lens & Clear Dome
- Mounting Options : 3-1/2" center or 7" center
- EMC IP65
- **SAE J845 Class 2**



E-880AC

| Part No. | Accessories for PRXE-888AC & E-880AC | Pkg |
|------------------|---|------------|
| PRXF-S950 | Fuse/Switch Kit consisting of: PRXST100 On/Off Toggle Switch, PRXATM05 5 Amps Mini Fuse & PRXATMF14C In-Line Fuse Holder w/ Cover | Retail Bag |
| PRXF-F680 | Mounting Plate & Bracket Set for mounting on pole or mirror arm | Bulk |

Combination LED Quad Flash (Strobe) & LED Rotating

| Part No. | Colour | Diodes | Flash Pattern | Voltage | Amps | Pkg |
|------------------|--------|----------------------|-----------------|-----------|------------|-----|
| PRXE-658A | Amber | 8 High Output Diodes | Quad / Rotating | 12V - 50V | 1.50 @ 12V | Box |

- Lamp Dimension : 4-1/2" H x 6-1/2" Base Dia
- Aluminium Base & Polycarbonate Lens
- **Switch (PRXST109) Included** for Flash Pattern Selection
- 3 Mounting Holes on 6" diameter
- IP65
- **SAE J845 Class 1** on Quad Flash
- **SAE J845 Class 2** on Rotating Flash



-658A

| Part No. | Accessories for PRXE-658A | Pkg |
|-------------------|---|------------|
| PRXE-S950 | Fuse/Switch Kit consisting of: PRXST100 On/Off Toggle Switch, PRXATM05 5 Amps Mini Fuse & PRXATMF14C In-Line Fuse Holder w/ Cover | Retail Bag |
| PRXE-F680 | Mounting Plate & Bracket Set for mounting on pole or mirror arm | Bulk |
| PRXE-FM600 | Magnet Mount Kit w/ Coiled Wire and Fused Cigarette Power Adaptor to convert lamp to magnetic mount | Bulk |

LED Rotating Flash



E-650 A

| Part No. | Colour | Diodes | Flash Pattern | Voltage | Amps | Pkg |
|------------------|--------|----------------------|---------------|-----------|------------|-----|
| PRXE-650A | Amber | 8 High Output Diodes | Rotating | 12V - 40V | 0.60 @ 12V | Box |

- Lamp Dimension : 5" H x 6-1/2" Base Dia
- Sturdy ABS Base & Polycarbonate Lens
- 3 Mounting Holes on 6" diameter
- IP65
- **SAE J845 Class 2**

| Part No. | Accessories for PRXE-650A | Pkg |
|-------------------|--|------------|
| PRXF-S950 | Fuse/Switch Kit consisting of: PRXST100 On/Off Toggle Switch, PRXATM05 5 Amps Mini Fuse & PRXATMF14C In-Line Fuse Holder w/ Cover | Retail Bag |
| PRXF-F680 | Mounting Plate & Bracket Set for mounting on pole or mirror arm | Bulk |
| PRXF-FM600 | Magnet Mount Kit w/ Coiled Wire and Fused Cigarette Power Adaptor to convert lamp to magnetic mount | Bulk |

LED Quad Flash (Strobe)



E-550A

| Part No. | Colour | Diodes | Flash Pattern | Voltage | Amps | Pkg |
|------------------|--------|--------|---------------|---------|------|-----|
| PRXE-550A | Amber | 120 | Quad | 12V | 0.87 | Box |

- Lamp Dimension : 5" H x 6.3" Base Dia
- Sturdy ABS Base & Polycarbonate Lens
- 3 Mounting Holes on 6" diameter
- EMC IP65
- **SAE J845 Class 2**



E-550AT
Surface Mount

E-550AT
Pole Mount

| Part No. | Colour | Diodes | Flash Pattern | Voltage | Amps | Pkg |
|-------------------|--------|--------|---------------|---------|------|-----|
| PRXE-550AT | Amber | 120 | Quad | 12V | 0.87 | Box |

- Lamp Dimension : 5" H x 6.3" Base Dia
- Black Enamel Aluminium Base with Chrome Ring
- Pole Mount use 1" pipe thread NPT (pipe not included)
- 3 Mounting Holes on 6" diameter
- EMC IP65
- **SAE J845 Class 2**



E-553A

| Part No. | Colour | Diodes | Flash Pattern | Voltage | Amps | Pkg |
|------------------|--------|----------------------|---------------|---------|------------|-----|
| PRXE-553A | Amber | 8 High Output Diodes | Quad | 12V | 0.96 @ 12V | Box |

- Lamp Dimension : 5" H x 6.5" Base Dia
- Sturdy ABS Base & Polycarbonate Lens
- 3 Mounting Holes on 6" diameter
- IP66
- **SAE J845 Class 2**

| Part No. | Accessories for PRXE-550A, E-550AT & E-553A | Pkg |
|-------------------|--|------------|
| PRXF-S950 | Fuse/Switch Kit consisting of: PRXST100 On/Off Toggle Switch, PRXATM05 5 Amps Mini Fuse & PRXATMF14C In-Line Fuse Holder w/ Cover | Retail Bag |
| PRXF-F680 | Mounting Plate & Bracket Set for mounting on pole or mirror arm | Bulk |
| PRXF-FM600 | Magnet Mount Kit w/ Coiled Wire and Fused Cigarette Power Adaptor to convert lamp to magnetic mount | Bulk |

LED Quad Flash (Strobe)

Permanent Mount Model

| Part No. | Colour | Diodes | Flash Pattern | Voltage | Amps | Pkg |
|------------------|--------|--------|---------------|-----------|------------|-----|
| PRXE-330A | Amber | 30 | Quad | 12V - 40V | 0.14 @ 12V | Box |
| PRXE-330W | White | 30 | Quad | 12V - 40V | 0.14 @ 12V | Box |

- Lamp Dimension : 3-3/4" H x 5" Base Dia
- Sturdy ABS Base & Polycarbonate Lens
- 3 Mounting Holes on 4-3/4" diameter
- IP66

| Part No. | Accessories for PRXE-330A | Pkg |
|------------------|---|------------|
| PRXF-S950 | Fuse/Switch Kit consisting of: PRXST100 On/Off Toggle Switch, PRXATM05 5 Amps Mini Fuse & PRXATMF14C In-Line Fuse Holder w/ Cover | Retail Bag |
| PRXF-F680 | Mounting Plate & Bracket Set for mounting on pole or mirror arm | Bulk |



Magnetic Mount Models

| Part No. | Colour | On/Off Switch | Diodes | Flash Pattern | Voltage | Amps | Pkg |
|-------------------|--------|---------------|--------|---------------|-----------|------------|-----|
| PRXE-330AM | Amber | No | 30 | Quad | 12V - 40V | 0.14 @ 12V | Box |
| PRXE-332AM | Amber | Yes | 30 | Quad | 12V - 24V | 0.14 @ 12V | Box |
| PRXE-330BM | Blue | No | 30 | Quad | 12V - 40V | 0.14 @ 12V | Box |

- Lamp Dimension : 3-3/4" H x 5" Base Dia
- Magnetic Base with Fused Cigarette Power Adaptor & Polycarbonate Lens
- IP66



LED Rotating Flash

| Part No. | Colour | Diodes | Flash Pattern | Voltage | Amps | Pkg |
|------------------|--------|--------|---------------|---------|------|-----|
| PRXE-350A | Amber | 30 | Rotating | 12V | 0.10 | Box |

- Lamp Dimension : 4" H x 5" Base Dia
- Sturdy ABS Base & Polycarbonate Lens
- 3 Mounting Holes on 4-5/8" diameter
- IP66

| Part No. | Accessories for PRXE-350A | Pkg |
|-------------------|---|------------|
| PRXF-S950 | Fuse/Switch Kit consisting of: PRXST100 On/Off Toggle Switch, PRXATM05 5 Amps Mini Fuse & PRXATMF14C In-Line Fuse Holder w/ Cover | Retail Bag |
| PRXF-F680 | Mounting Plate & Bracket Set for mounting on pole or mirror arm | Bulk |
| PRXF-FM600 | Magnet Mount Kit w/ Coiled Wire and Fused Cigarette Power Adaptor to convert lamp to magnetic mount | Bulk |



Battery Operated LED Rotating

| Part No. | Colour | Diodes | Flash Pattern | Mounting | Pkg |
|-------------------|--------|--------|---------------|---------------|-----|
| PRXE-480AM | Amber | 20 | Rotating | Magnetic Base | Box |
| PRXE-480BM | Blue | 20 | Rotating | Magnetic Base | Box |
| PRXE-480AB | Amber | 20 | Rotating | Bracket Mount | Box |

- Lamp Dimension : 4-1/2" H x 5" Base Dia
- Comes with On/Off Switch
- Use 4 AA Batteries (not included)
- IP65



Battery Operated LED (Strobe)



E-420AM

| Part No. | Colour | Diodes | Flash Pattern | Mounting | Pkg |
|------------|--------|--------|---------------|---------------|-----|
| PRXE-420AM | Amber | 4 | Single | Magnetic Base | Box |

- Lamp Dimension : 4" H x 4-3/4" Base Dia
- Comes with On/Off Switch
- Use 2 AA Batteries (not included)
- IP65



E-450AM

| Part No. | Colour | Diodes | Flash Pattern | Mounting | Pkg |
|------------|--------|--------|---------------|---------------|-----|
| PRXE-450AM | Amber | 30 | Quad | Magnetic Base | Box |

- Lamp Dimension : 5" H x 4-3/4" Base Dia
- Comes with On/Off Switch
- Use 9V Battery (not included)

Multiple Pattern LED Mini Dual Warning Light Sets

Each set contains 2 LED synchronized strobe heads. Strobe heads can be mounted inside head or tail lamp assemblies or surface mounted. All necessary mounting hardware included.



E-985AK
LED Strobe Heads

| Part No. | Diodes Colour | Diodes | Lens Colour | Flash Pattern | Voltage | Amps | Pkg |
|-------------|---------------|--------|-------------|---------------|---------|------|-----|
| PRXE-985AK | Amber | 6 | Amber | 19 Patterns | 12V | 0.7 | Box |
| PRXE-985CAK | Amber | 6 | Clear | 19 Patterns | 12V | 0.7 | Box |
| PRXE-985CWK | White | 6 | Clear | 19 Patterns | 12V | 0.7 | Box |
| PRXE-985BK | Blue | 6 | Blue | 19 Patterns | 12V | 0.7 | Box |



Control Box



Extension Wire



Gaskets & Screws



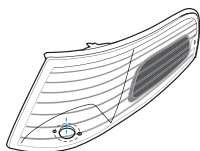
Black Flanges



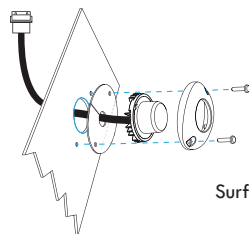
Taggle Switch

- Each Light Set consists of:
 - 2 LED Strobe Heads in Chrome Aluminium Base & Polycarbonate Lens
 - 2 Black Flanges
 - Control Box with 36" Wire Harness at Each End
 - 80" Extension Wire Harness
 - Momentary On-Off Chrome Toggle (PRXST108) for Flash Pattern Selection - Gaskets & Screws
- Lamp Dimension : 1-1/2" Dia x 1-1/16" H
- Mounting Holes : 2 holes @ 1-9/32 centers
- IPX7

| Part No. | Accessories for PRXE-958 series | Pkg |
|-------------|---|------------|
| PRXF-S950 | Fuse/Switch Kit consisting of: PRXST100 On/Off Toggle Switch, PRXATM05 5 Amps Mini Fuse & PRXATMF14C In-Line Fuse Holder w/ Cover | Retail Bag |
| PRXE-F985-5 | Chrome Flange | Retail Bag |



Headlamp/Tail lamp
Assembly Mount



Surface Mount

Heavy Duty Strobe

| Part No. | Colour | Flash Pattern | Joules | Voltage | Amps | Pkg |
|-------------------|--------|---|--------|-----------|------------|-----|
| PRXC-883AC | Amber | Double/Quad SAE J845 Class 2 | 17 | 12V - 24V | 2.21 @ 12V | Box |
| PRXC-880BC | Blue | Single/Quad Quad - SAE J1318 Class 2 Single - SAE J1318 Class 3 | 14 | 12V - 48V | 2.0 @ 12V | Box |

- Lamp Dimension : 7-1/2" H x 8-3/4" Base Dia
- Aluminium Base with Polycarbonate Lens & Clear Dome
- Mounting Options : 3-1/2" center or 7" center
- EMC IP65



C-883AC

| Part No. | Accessories for PRXC-883AC & PRXC-880BC | Pkg |
|-------------------|---|------------|
| PRXF-S950 | Fuse/Switch Kit consisting of: PRXST100 On/Off Toggle Switch, PRXATM05 5 Amps Mini Fuse & PRXATMF14C In-Line Fuse Holder w/ Cover | Retail Bag |
| PRXF-F680 | Mounting Plate & Bracket Set for mounting on pole or mirror arm | Bulk |
| PRXCB-883 | Replacement Flash Bulb for PRXC-883AC | Clamshell |
| PRXCB-880 | Replacement Flash Bulb for PRXC-880BC | Clamshell |
| PRXCC-880 | Replacement Clear Dome | Bulk |
| PRXCL-550A | Replacement Amber Lens for | Bulk |
| PRX L-550B | Replacement Blue Lens for | Bulk |



C-880BC

| Part No. | Colour | Flash Pattern | Joules | Voltage | Amps | Pkg |
|------------------|--------|--|--------|-----------|------------|-----|
| PRXC-553A | Amber | Double/Quad SAE J845 Class 2 w/ High/Low Intensity Option | 17 | 12V - 24V | 2.21 @ 12V | Box |

- Lamp Dimension : 4-3/4" H x 6-7/16" Base Dia
- Aluminium Base & Polycarbonate Lens
- Mounting:
Surface Mount - 3 Mounting Holes (3/16") on 6" centres
Pole Mount use 1" pipe thread NPT (pipe not included)
- EMC IP66



C-553A



C-553A Base
Surface or Pole Mount

| Part No. | Colour | Flash Pattern | Joules | Voltage | Amps | Pkg |
|------------------|--------|---|--------|-----------|-----------|-----|
| PRXC-550A | Amber | Double/Quad Double - SAE J1318 Class 2 Quad - SAE J1318 Class 3 | 12 | 12V - 48V | 2.0 @ 12V | Box |
| PRXC-550B | Blue | Double/Quad | 12 | 12V - 48V | 2.0 @ 12V | Box |

- Lamp Dimension : 5" H x 6-1/2" Base Dia
- Sturdy ABS Base & Polycarbonate Lens
- 3 Mounting Holes on 6" diameter
- EMC IP66



C-550A



C-550B

| Part No. | Accessories for PRXC-553A, PRXC-550A & PRXC-550B | Pkg |
|-------------------|---|------------|
| PRXF-S950 | Fuse/Switch Kit consisting of: PRXST100 On/Off Toggle Switch, PRXATM05 5 Amps Mini Fuse & PRXATMF14C In-Line Fuse Holder w/ Cover | Retail Bag |
| PRXF-F680 | Mounting Plate & Bracket Set for mounting on mirror arm | Bulk |
| PRXF-FM600 | Magnet Mount Kit w/ Coiled Wire and Fused Cigarette Power Adaptor to convert lamp to magnetic mount | Bulk |
| PRXCB-553 | Replacement Flash Bulb for C-553A | Clamshell |
| PRXCB-550 | Replacement Flash Bulb for C-550A & C-550B | Clamshell |
| PRXCL-553A | Replacement Amber Lens for C-553A | Bulk |
| PRXCL-550A | Replacement Amber Lens for C-550A | Bulk |
| PRX L-550B | Replacement Blue Lens for C-550B | Bulk |



C-450AD

| Part No. | Colour | Flash Pattern | Joules | Voltage | Amps | Pkg |
|-------------------|--------|---------------|--------|-----------|-----------|-----|
| PRXC-450AD | Amber | Single | 3 | 12V - 48V | 0.3 @ 12V | Box |
| PRXC-450BD | Blue | Single | 3 | 12V - 48V | 0.3 @ 12V | Box |

- Lamp Dimension : 4-1/2" H x 5-1/2" Base Dia
- Rubber Base & Polycarbonate Lens
- 2 Mounting Studs (#8 screws) on 4" center
- IP65



C-450BD

| Part No. | Accessories for PRXC-450AD & PRXC-450BD | Pkg |
|-------------------|--|------------|
| PRXF-S950 | Fuse/Switch Kit consisting of: PRXST100 On/Off Toggle Switch, PRXATM05 5 Amps Mini Fuse & PRXATMF14C In-Line Fuse Holder w/ Cover | Retail Bag |
| PRXCB-450 | Replacement Flash Bulb for PRXC-450AD & PRXC-450BD | Clamshell |
| PRXCL-550A | Replacement Amber Lens for PRXC-450AD | Bulk |
| PRX L-550B | Replacement Blue Lens for PRXC-450BD | Bulk |

C-330B



C-330A

Permanent Mount Models

| Part No. | Colour | Flash Pattern | Joules | Voltage | Amps | Pkg |
|------------------|--------|---------------|--------|------------|------------|-----|
| PRXC-330A | Amber | Single | 2 | 12V - 120V | 0.25 @ 12V | Box |
| PRXC-330B | Blue | Single | 2 | 12V - 120V | 0.25 @ 12V | Box |

- Lamp Dimension : 4" H x 5" Base Dia
- Sturdy ABS Base & Polycarbonate Lens
- 3 Mounting Holes on 4-3/4" diameter
- EMC IP66

| Part No. | Accessories for PRXC-330A & PRXC-330B | Pkg |
|-------------------|--|------------|
| PRXF-S950 | Fuse/Switch Kit consisting of: PRXST100 On/Off Toggle Switch, PRXATM05 5 Amps Mini Fuse & PRXATMF14C In-Line Fuse Holder w/ Cover | Retail Bag |
| PRXF-F680 | Mounting Plate & Bracket Set for mounting on pole or mirror arm | Bulk |
| PRXCB-330 | Replacement Flash Bulb for C-330A & C-330B | Clamshell |
| PRXCL-330A | Replacement Amber Lens for C-330A | Bulk |
| PRX L-330B | Replacement Blue Lens for C-330B | Bulk |



C-330AM



C-330BM

Magnetic Mount Models

| Part No. | Colour | Flash Pattern | Joules | Voltage | Amps | Pkg |
|-------------------|--------|---------------|--------|------------|------------|-----|
| PRXC-330AM | Amber | Single | 2 | 12V - 120V | 0.25 @ 12V | Box |
| PRXC-330BM | Blue | Single | 2 | 12V - 120V | 0.25 @ 12V | Box |

- Lamp Dimension : 4" H x 5" Base Dia
- Magnetic Base with Power Adaptor Polycarbonate Lens
- EMC IP66

| Part No. | Accessories for PRXC-330AM & PRXC-330BM | Pkg |
|-------------------|--|-----------|
| PRXCB-330 | Replacement Flash Bulb for C-330AM & C-330BM | Clamshell |
| PRXCL-330A | Replacement Amber Lens for C-330AM | Bulk |
| PRX L-330B | Replacement Blue Lens for C-330BM | Bulk |

Towmotor Application Strobe

| Part No. | Colour | Flash Pattern | Joules | Voltage | Amps | Pkg |
|------------------|--------|---------------|--------|------------|------------|-----|
| PRXC-250A | Amber | Single | 2 | 12V - 120V | 0.24 @ 12V | Box |

- Lamp Dimension : 5" H x 2-3/4" Base Dia
- Mounting : 3-3/8" centre
- Mounting Hole : 3/16"
- ABS Base & Polycarbonate Lens
- EMC IP66

| Part No. | Accessories for PRXC-250A | Pkg |
|-------------------|---|------------|
| PRXF-S950 | Fuse/Switch Kit consisting of: PRXST100 On/Off Toggle Switch, PRXATM05 5 Amps Mini Fuse & PRXATMF14C In-Line Fuse Holder w/ Cover | Retail Bag |
| PRXCB-250 | Replacement Flash Bulb for C-250A | Clamshell |
| PRXCL-250A | Replacement Amber Lens for C-250A | Bulk |



C-250A

Dual Strobe Light Bar

Dual Quad Flash Strobe Light Bar in alternating sequence. Centre mirrored reflector doubles the effect of the strobe. Small compact design suitable for fitting in a variety of locations.

| Part No. | Colour | Flash Pattern | Voltage | Amps | Pkg |
|------------------|--------|---|---------|------|-----|
| PRXC-100A | Amber | Alternating Quad Flash SAE J845 Class 2 | 12V | 1.80 | Box |

- Lamp Dimension : 16" L x 8-1/2" W x 6" H
- Sturdy ABS Base with Polycarbonate Dome & Lens
- Mounting : 4 mounting screws @ 12-3/4" and 5-1/4" centres

| Part No. | Accessories for PRXC-100A | Pkg |
|------------------|---|------------|
| PRXF-S950 | Fuse/Switch Kit consisting of: PRXST100 On/Off Toggle Switch, PRXATM05 5 Amps Mini Fuse & PRXATMF14C In-Line Fuse Holder w/ Cover | Retail Bag |



C-100A

Rotating Beacon Lights

Single Rotating Beacon

| Part No. | Colour | Flash Pattern | Voltage | Amps | Bulb | Pkg |
|-------------------|--------|---|---------|------|------|-----|
| PRXC-R880A | Amber | Single Rotating @ 150 fpm SAE J845 Class 1 | 12V | 5 | H1 | Box |
| PRXC-R880B | Blue | Single Rotating @ 150 fpm | 12V | 5 | H1 | Box |

- Lamp Dimension : 7-3/4" H x 8-3/4" Dia
- Aluminium Base with Polycarbonate Lens
- Mounting : 3-1/2" or 7-1/16" centres
- EMC IP65

| Part No. | Accessories for PRXC-R880A & PRXC-R880B | Pkg |
|--------------------|--|------------|
| PRXF-S970 | Fuse/Switch Kit consisting of: PRXST100 On/Off Toggle Switch, PRXATM075 7.5 Amps Mini Fuse & PRXATMF14C In-Line Fuse Holder w/ Cover | Retail Bag |
| PRXF-F680 | Mounting Plate & Bracket Set for mounting on pole or mirror arm | Bulk |
| PRXCL-R880A | Replacement Amber Lens for C-R880A | Bulk |
| PRXCL-R880B | Replacement Blue Lens for C-R880B | Bulk |



-R880A



C-R880B

Mounting Plate & Bracket Set - for Pole Mount or Mirror Arm Mount



| Part No. | Description | Pkg |
|------------------|--|------|
| PRXE-F680 | Mounting Plate & Bracket Set consisting of: 6-1/2" Round Plated Steel Base Mount and Brushed Aluminium Mirror Mounting Bracket with 1/2" centred mounting hole | Bulk |

For Use with:

| | | | |
|-----------|------------|-----------|------------|
| PRXC-330A | PRXC-880BC | PRXE-330A | PRXE-650A |
| PRXC-330B | PRXC-883AC | PRXE-350A | PRXE-658A |
| PRXC-550A | PRXC-R880A | PRXE-550A | PRXE-880AC |
| PRXC-550B | PRXC-R880B | PRXE-553A | PRXE-888AC |
| PRXC-553A | | | |

Magnet Mount Kit - to convert Lamp to Magnetic Mount



| Part No. | Description | Pkg |
|-------------------|---|------|
| PRXE-FM600 | Magnetic Mount Kit consisting of: 6-1/2" Round Plated Steel Base with Magnet and Rubber Housing Coiled Wire & Cigarette Power Adaptor | Bulk |

For Use with:

| | | |
|-----------|-----------|-----------|
| PRXC-550A | PRXE-350A | PRXE-650A |
| PRXC-550B | PRXE-550A | PRXE-658A |
| PRXC-553A | PRXE-553A | |

Fuse/Switch Kits



| Part No. | Fuse/Switch Kit consisting of: | Pkg |
|------------------|--|------------|
| PRXF-S935 | PRXST100 On/Off Toggle Switch PRXST108 Momentary On-Off Toggle Switch PRXATS03 3 Amps Standard Fuse PRXATSF14C In-Line Fuse Holder w/ Cover | Retail Bag |
| PRXF-S950 | PRXST100 On/Off Toggle Switch PRXATM05 5 Amps Mini Fuse & PRXATMF14C In-Line Fuse Holder w/ Cover | Retail Bag |
| PRXF-S955 | PRXST100 On/Off Toggle Switch PRXST105 On-Off-Momentary On Toggle Switch PRXATM05 5 Amps Mini Fuse PRXATMF14C In-Line Fuse Holder w/ Cover | Retail Bag |
| PRXF-S970 | PRXST100 On/Off Toggle Switch PRXATM075 7.5 Amps Mini Fuse & PRXATMF14C In-Line Fuse Holder w/ Cover | Retail Bag |
| PRXF-S975 | PRXST100 On/Off Toggle Switch PRXST105 On-Off-Momentary On Toggle Switch PRXATM075 7.5 Amps Mini Fuse PRXATMF14C In-Line Fuse Holder w/ Cover | Retail Bag |

SAE Class 1, Class 2 or Class 3? Not sure what to use on your application?

Per SAE specifications:

Class 1 Optical Warning Device is a primary optical warning device for use on authorized emergency vehicles responding to emergency situations. These devices are utilized to capture the attention of motorists and pedestrians and warn of a potentially hazardous activity or situation. Examples of emergency vehicles are police vehicles, fire trucks and ambulances.

Class 2 Optical Warning Device is a primary optical warning device for use on authorized maintenance or service vehicles to warn of traffic hazards such as a lane blockage or slow moving vehicle. Examples of maintenance or service vehicles are tow trucks, snow plow vehicles, Department of Highway road maintenance vehicles and other slow moving vehicles.

Class 3 Optical Warning Device is a primary optical warning device for use on vehicles authorized to display an optical warning device for identification only.

Provix Wireless Cap Lamp



All in One Multi Purpose Cap Lamp

NWI-WLAMP3A

Explosion-proof, Anti-impact
Fire-resistant, Flame-retardant



Features



Part No.

Beam Pattern

Bulb Type

Brightness

Run time

B

V



Magnetic LED Work Light Rechargeable Cree 12W

-
-
- b
-
- B
- b

Part No.

Beam Pattern

Bulb Type

Brightness

Run time

B

V

High Brightness Cree 12W Handheld Rechargeable light

-
-
- B
- b
- b B



Part No.

Beam Pattern

Bulb Type

Brightness

Run time

B

V



Maintenance Work Light Cree 12w Rechargeable Emergency Led Light

-
-
-
- b b b
- B

Part No. **Beam Pattern** **Bulb Type** **Brightness** **Run time**

B

V

25 Watt Handheld Spotlight With Aluminum Alloy Head



-
-
-
-
-
-

b

b

B



Part No. **Beam Pattern** **Bulb Type** **Brightness** **Run time**

B

V

High Power Outdoor Handheld 45 Watt Cree Led Spotlight

- V
- b
-
-

b

b



Part No. **Beam Pattern** **Bulb Type** **Brightness** **Run time**

B

V

Portable LED Lighting System 20w Waterproof Rechargeable Tripod Work Light



-
-
-
-
-
-

V

| Part No. | Beam Pattern | Bulb Type | Brightness | Run time |
|----------|--------------|-----------|------------|----------|
| B | | V | | |



Portable Telescopic Light Tower 24w Rechargeable Led Remote Searchlight

- b
-
- b
- B
- B b

| Part No. | Beam Pattern | Bulb Type | Brightness | Run time |
|----------|--------------|-----------|------------|----------|
| B | | V | | |

36w AC/DC Charger Rechargeable Led Area Light

-
-
-
-
-
-
- B




| Part No. | Beam Pattern | Bulb Type | Brightness | Run time |
|----------|--------------|-----------|------------|----------|
| B | | V | | |

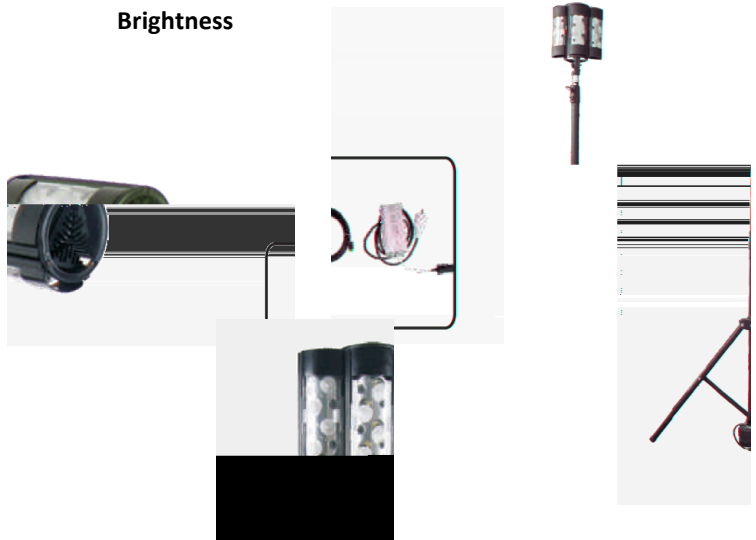



80W Rechargeable Cree Lights With 360 Degree Rotating

- B b b
- b b
- b b
-
-

| Part No. | Beam Pattern | Bulb Type | Brightness | Run time |
|--|--------------|-----------|------------|----------|
| B | | V | | |
|  | | | | |
| <p>144 Watt Portable Scene Lighting</p> <ul style="list-style-type: none"> • • • B b • b b • b • B • | | | | |

| Part No. | Beam Pattern | Bulb Type | Brightness |
|--|--------------|-----------|------------|
| B | | V | |
| <p>120W Tripod LED Work Light 3M</p> <ul style="list-style-type: none"> • • • • • b • b | | | |



| Part No. | Beam Pattern | Bulb Type | Brightness | Run time |
|--|--------------|-----------|------------|----------|
| B | | V | | |
|  | | | | |
| <p>120W Tripod LED Work Light 2.6M</p> <ul style="list-style-type: none"> • b • • • V • B B B • B | | | | |

PROVIX.NET
Now I Can See!

LARGE AREA PORTABLE LIGHTING

When the jobsite demands the maximum light output available, PROVIX'S Large Area Lighting is just what is needed. All of these lights offer high-output lighting options and include the durability

PROVIX

self-righting portable work lights and our Hang-A-Light temporary area work lights, PROVIX has you covered on the ground and overhead.

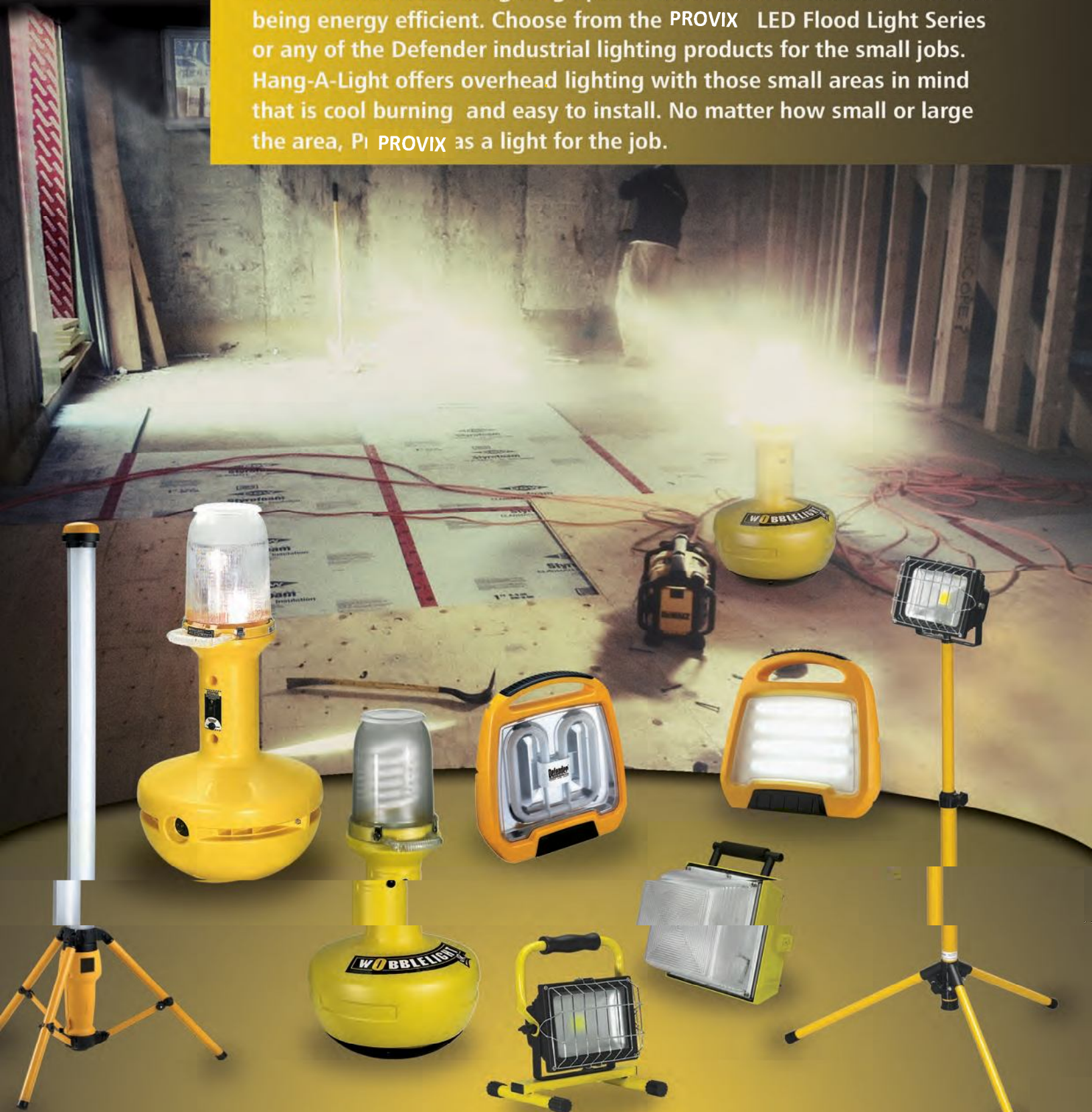


CALL: 1-888-434-0253 - CONTACT: SALES@PROVIX.NET - VISIT: WWW.PROVIX.NET

PROVIX.NET
Now I CAN SEE!

SMALL AREA PORTABLE LIGHTING

The smaller jobs require portable lighting that is easy to work next to in confined areas, with no hot surfaces but bright enough to get the job done. PROVIX offers several lighting options that meet this criteria while also being energy efficient. Choose from the PROVIX LED Flood Light Series or any of the Defender industrial lighting products for the small jobs. Hang-A-Light offers overhead lighting with those small areas in mind that is cool burning and easy to install. No matter how small or large the area, Pi PROVIX as a light for the job.



CALL: 1-888-434-0253 - CONTACT: SALES@PROVIX.NET - VISIT: WWW.PROVIX.NET



GALAXY PRO

Portable, Rechargeable Flood Light

Galaxy Pro
Model No.
PPL-514100

- > Up to 90° angle head
- > Rear storage
- > 4 hr. recharge time
- > 3 Light Modes:
- High, Low, Dimming
- > Optional Magnet Feet
- > Tripod mountable
- > Carry Handle

3 Magnet Feet
Kit Model No
PPL- 514103



Model No. PPL-514100

| | |
|--|-------------------------------|
| | 3,500/1,750 |
| | 49 ft. |
| | CREE LED |
| | 50,000 |
| | 3.4 lbs. |
| | -20°F - 140°F |
| | 7.4V 13.2 Ah Li-Ion |
| | 4 hrs High / 8 hrs Low |
| | IP54 |

HEAVY DUTY LED LIGHTS RUGGED LIGHTS

PITMASTER

Technical Information

| | |
|------------------|---|
| WARRANTY | Extended |
| RAW LUMENS | 29,580 lm |
| EFFECTIVE LUMENS | 21,647 lm |
| WATTAGE | 300 |
| WEIGHT | 26.46 lb/12 kg |
| LED LIFESPAN | 50,000 Hours |
| DIMENSIONS | 14.21" x 11.54" x 6.87" 361 mm x 293 mm x 174.5 mm |
| INPUT VOLTAGE | 11-65V DC 100-480V AC w/Optional Inverter |
| AMP DRAW (12V) | 25A |
| IP RATING | IP-68 |
| VIBRATION RATING | 15.6 G _{rms} |
| OPERATING TEMP | -40 Celsius ~ +80 Celsius |

Features

- Integrated Power Supply Mount (Power Supply Sold Separately)
- Xtreme Five Watt LED is Drive to 90% Efficiency
- Integrated Electronic Thermal Management
- 360° Fully Adjustable Mounting System
- Integrated Deutsch Connector
- Die-Cast Aluminum Housing
- Reinforced Gasketed Bezel
- Redundant Circuitry Design
- Polycarbonate Lens
- Patent Pending



RIPPER SERIES

Technical Information

| | |
|------------------|---|
| WARRANTY | Extended |
| RAW LUMENS | 9,860 lm |
| EFFECTIVE LUMENS | 6,220 lm |
| WATTAGE | 100 |
| WEIGHT | 7.50 lb/3.4 kg |
| LED LIFESPAN | 50,000 Hours |
| DIMENSIONS | 8.26" x 6.25" x 4.05" 209.8 mm x 158.5 mm x 102.8 mm |
| INPUT VOLTAGE | 11-65V DC |
| AMP DRAW (12V) | 8.34A |
| IP RATING | IP-68 |
| VIBRATION RATING | 60 G _{rms} |
| OPERATING TEMP | -40 Celsius ~ +80 Celsius |

Features

- Xtreme Five Watt LED is Drive to 90% Efficiency
- Integrated Electronic Thermal Management
- Advanced Heat Sink Design
- Integrated Deutsch Connector
- Die-Cast Aluminum Housing
- Polycarbonate Lens
- Patent Pending



SOLSTICE PRIME SERIES

Technical Information

| | |
|------------------|--|
| WARRANTY | Extended |
| RAW LUMENS | 6,020 lm |
| EFFECTIVE LUMENS | 4,214 lm |
| WATTAGE | 70 |
| WEIGHT | 4.52 lb/2.05 kg |
| LED LIFESPAN | 50,000 Hours |
| DIMENSIONS | 7.14" x 5.98" x 3.17" 181.3 mm x 152 mm x 80.6 mm |
| INPUT VOLTAGE | 11-65V DC |
| AMP DRAW (12V) | 5.84A |
| IP RATING | IP-68 |
| VIBRATION RATING | 8.6 G _{rms} |
| OPERATING TEMP | -40 Celsius ~ +80 Celsius |

Features

- Weatherproof Integrated Deutsch Connector with Plug and Play Harness
- Next Gen LED is Driven to 90% Efficiency
- 105° Adjustable Trunion Bracket Mount
- Vertical Fins Maximize Heat Dissipation
- PWM Integrated Dimming Circuitry
- Die-Cast 6061 Aluminum Housing
- Polycarbonate Lens
- Patent Pending



SHOCKWAVE SERIES

Technical Information

| | |
|------------------|--|
| WARRANTY | Extended |
| HEIGHT | 4.68"/118.8mm |
| DEPTH | 1.91"/46.6mm |
| INPUT VOLTAGE | 9-32V DC 90-480V AC w/Optional Inverter |
| IP RATING | IP-68 |
| VIBRATION RATING | 15.6 G _{rms} |
| OPERATING TEMP | -20 Celsius ~ +40 Celsius |

Features

- Integrated Electronic Thermal Management
- Weatherproof Deutsch Connector
- Die-Cast Aluminum Housing
- Polycarbonate Lens
- Patent Pending



Stryker® LED



STRYKER LED Remote Control Searchlights

- 10 High Flux LED's
- Wireless or Hardwired Remote Control Options
- Permanent or Portable Mounting Options
- 370° Rotation x 135° Tilt
- 320,000 Candela, Max Beam Distance 3,711 ft
- 2.8 amps at 13.8V
- 8° Beam Angle
- UV Ray and Saltwater Resistant
- Weather Proof for Land and Sea Applications
- Stainless Steel Mounting Brackets for permanent mount units
- 5 Year Limited Warranty

Permanent Mount Models



STRYKER LED
GLI-30004 (White) GLI-30514 (Black)
GLI-30064 (Chrome)

Package Includes:
Wireless Handheld Remote
Stainless Steel Mounting
Bracket



STRYKER LED
GLI-30204 (White) GLI-30214 (Black)
GLI-30264 (Chrome)

Package Includes:
Hard Wired Joystick Dash Mount
Remote Stainless Steel Mounting
Bracket

Portable Mount Models



STRYKER LED
GLI-30005 (White) GLI-30515 (Black)
GLI-30065 (Chrome)

Package Includes:
Wireless Handheld
Remote Attached
Magnetic Base 15' Power
Cord w/ Cig Plug

Stryker LED Accessories



Wireless Hand Held Remote
GLI-30100



Wireless Dash Mount Remote
GLI-30200

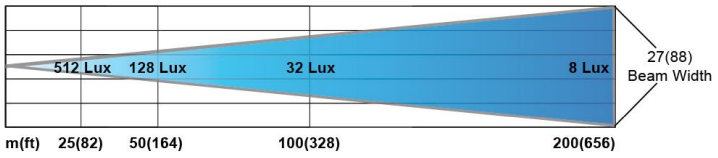


Snap On LED Flood Lens
GLI-15420



Hardwired Joystick Dash
Remote GLI-3020-D

Stryker LED Light Beam Dimensions



Illuminance (Lux) 512 128 32 8

Peak Beam Intensity: 320,000 Candela

Maximum Beam Distance: 1,131 m / 3,711 ft

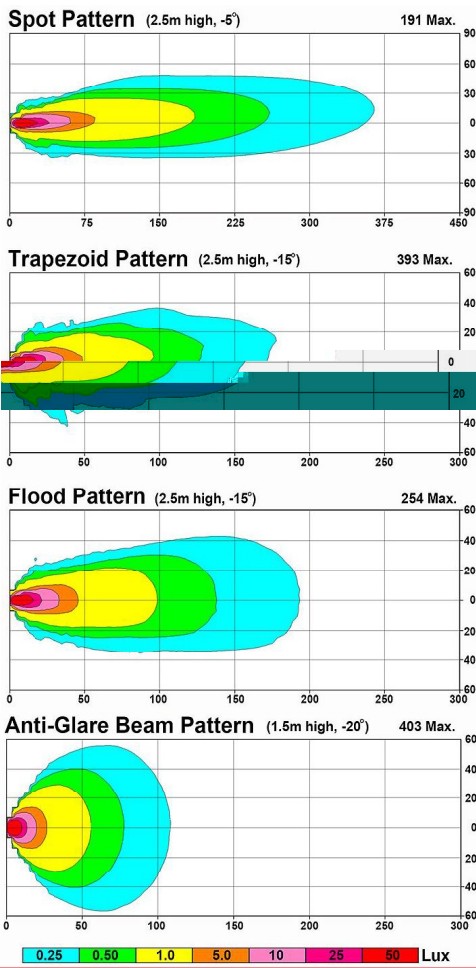
Beam Angle: 8°



GLARE BUSTER



The Anti-Glare beam pattern was engineered to address some of the safety challenges experienced by mining haul truck drivers. Conventional mining haul truck lighting (bulb-based or LED) often produce unsafe glare that can blind oncoming vehicles. In an attempt to fix this, drivers often angle conventional lights downwards, impairing the effectiveness. The Glare Buster Anti-Glare beam pattern maximizes visibility by putting lights exactly where it is needed while at the same time eliminating glare for oncoming vehicles.



Product List

Description

12-24V DC LED Square Worklight

Features & Benefits

- 9,000 Raw Lumens; 5,800 (Flood, Spot, Trap), 5,500 (Anti-Glare) Effective Lumens
- Available in a 12-24V DC configuration
- Flood, Spot, Trapezoid, & Anti-Glare beam patterns available
- Your choice of durable glass or polycarbonate lens options
- Rugged solid state LEDs can withstand shock & vibration
- Long-lasting LEDs mean never having to replace another bulb again!
- Die-cast aluminum housing provides maximum protection
- Universal pedestal mount
- Sealed to IP69K

General Specifications

| | |
|---------------------------|--|
| Lens Pattern : | Flood, Spot, Trapezoid, or Anti-Glare |
| Lens Material : | Glass or Polycarbonate |
| Housing Material : | Die-Cast Aluminum |
| Mounting Hardware: | (x1) M10-1.5 x 25 Mounting Bolt |
| Mounting : | Universal Pedestal Mount |
| Connector: | iCONN Connector - iMATE23 |
| Mating Connector: | 2-Pin Deutsch Weather-Proof Plug (DT06-2S) |
| Weight: | 4.5 lbs |

Technical Specifications

526 XL - 12/24V
 12-24V DC Input
 10-32V DC Operating Voltage
 9.00 Amps @ 12V DC
 5.00 Amps @ 24V DC
 Raw Lumen Output: 9,000
 Effective Lumen Output: 5,800 (Flood, Spot, Trapezoid)/ 5,500 (Anti-Glare)

PROVIX LED PROGRAMABLE VEHICLE ID BOARD

Magnetic Sensor Changes Numerical LEDs



LED Vehicle ID Board

Available in 3-Digit (117W) or 2-Digit (78W), these vehicle identification boards make communication between operators easier and more efficient. Each LED numerical can be changed via the on-board magnetic sensor and ranges from 0 to 9.



| ITEM # | XVI-ID03A | XVI-ID03R | XVI-ID02A | XVI-ID02R |
|--------------------|---|---|---|---|
| APPLICATION | Vehicle ID Board | Vehicle ID Board | Vehicle ID Board | Vehicle ID Board |
| INCLUDES | Mounting Bracket, LED Board, Mounting Bolts | Mounting Bracket, LED Board, Mounting Bolts | Mounting Bracket, LED Board, Mounting Bolts | Mounting Bracket, LED Board, Mounting Bolts |
| COLOR | Amber | Red | Amber | Red |
| WATTAGE | 117 | 117 | 78 | 78 |
| INPUT VOLTAGE | 9V-32V | 9V-32V | 9V-32V | 9V-32V |
| AMP DRAW (12V) | 9.75A | 9.75A | 6.5A | 6.5A |
| DIMENSIONS (L-H-W) | 25.9" x 17.3" x 1.42" | 25.9" x 17.3" x 1.42" | 18.6" x 17.3" x 1.42" | 18.6" x 17.3" x 1.42" |

Technical Information

| | |
|----------|--|
| WARRANTY | Extended |
| WEIGHT | 3-Digit: 19.41 lb 2-Digit: 12.98 lb |

Features

- Numerical LEDs Controlled Via Magnetic Sensor
- Designed For Constant 24 Hour Usage
- Durable Die-Cast Aluminum Housing
- Amber & Red LEDs Available
- Multiple Mounting Locations
- 195 LEDs Per Number
- IP-67K Waterproof

Magnetic Numerical Control Sensor

Changing the number on the Board is quick and easy. Simply wave the provided magnet over the square "Magnet" icon near the Provix logo on the bottom half of the board and the numbers will increase by 1 for each pass of the magnet.



PROVIX.NET
Now I CAN SEE!

LED FLARES: A BETTER ALTERNATIVE TO FUSSE FLARES

ELIMINATE
THE RISK POSED
BY FUSSE FLARES

AN ENVIRONMENTALLY SAFE SOLUTION

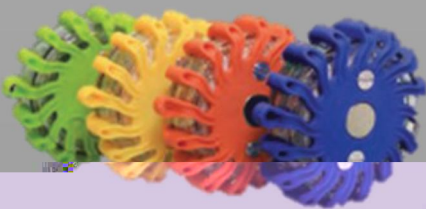
An eco-friendly solution that eliminates chemical and smoke residue; safer for the environment and your personnel.

ELIMINATE RISK FIRES

Eliminate dangerous combustible fusee flares that are a risk to vehicles, personnel, and the environment.

IMMEDIATE COST SAVINGS

Self contained led flares last for years. Compared to conventional fusee flares the break even point is after 10 hours of use.



FEATURES

Rechargeable battery
Hard Case with built in charger
Different Colour LEDs
Environmentally friendly

Call : 1 888 434 0253

Contact: sales@provix.net

Visit: www.provix.net

DETECT - ALERT - REACT with PROVIX!

PROVIX is a leading supplier of Proximity Detection and Collision Avoidance systems that increase safety, prevent accidents and increase productivity.

PROVIX Proximity detection systems and Equipment Blind Spot Cameras serve to enhance safety by increasing operators' situational awareness of surrounding vehicles and personnel.

PROVIX supplies an RFID Proximity detection system that outfits all mobile equipment and personnel with RFID tags. The radio frequency output from the tags is received in real time by the antennas that are installed on all heavy equipment and the operator is warned of the presence of personnel, vehicles, lighter equipment or any other hazard that has been tag equipped.

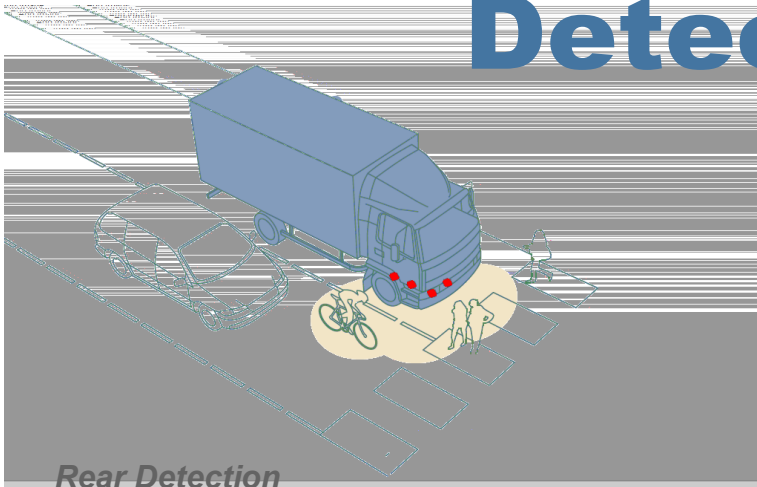
PROVIX supplies Backsense object detection that utilises Radar technology to alert vehicle and equipment operators of the presence of any object within the desired detection zone of a vehicle.

PROVIX supplies Self-adjusting, broadband/ white noise reversing alarms that are safer for workers. These intelligent back up alarms reduce noise complaints and eliminate worker acclimatization associated with conventional tonal alarms as they are only heard within the danger area of the reversing vehicle.

PROVIX Safety systems keep workers safe and reduce equipment damage costs.

Contact your PROVIX tech rep to discuss how to best protect your personnel and equipment.

Provix Ultrasonic Detection System



4 sensor system fitted to rear of vehicle as an invaluable aid to safe reversing.

- Underslung or flush mount installation
- System activated by reverse gear
- 50cm compensation range for sensors fitted inboard of vehicle rear
- Can be fitted to articulated vehicles with additional coiled cables

Side Detection

4 sensor system fitted to side of vehicle. Particularly relevant for near side blind spot where cyclists or pedestrians can otherwise go undetected.

- Underslung or flush mount sensors
- System can be activated below designated speed and/or turn indicator
- External speaking alarm with side turn warning for cyclists/pedestrians
- Can be fitted to articulated vehicles with additional coiled cables

Front Detection

4 sensor system fitted to front of vehicle. Particularly relevant for front blind spot on high cabs where low objects or pedestrians can be hidden.

- System can be activated below designated speed

Corner Detection

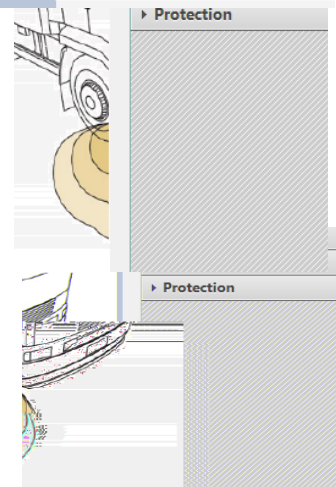
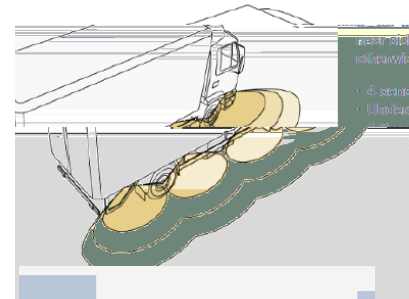
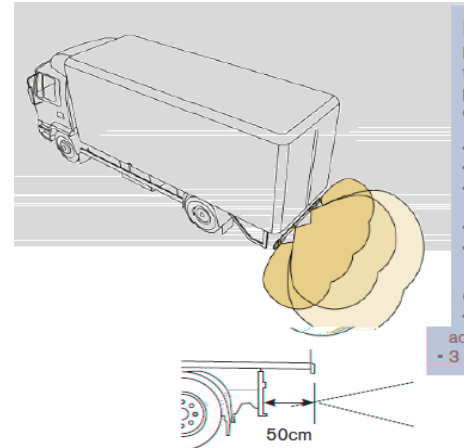
3 sensor system fitted to near side corner of vehicle cab to detect objects in front near side blind spot. Minimises the risk of damage to the vehicle whilst manoeuvring and turning whilst reversing.

- System can be activated below designated speed

Cab-Step Detection

2 sensor system fitted to nearside cab step. Minimises the risk of damage to the vehicle when turning whilst reversing.

- System can be activated by reverse gear





PROVIX.NET
Now I CAN SEE!

(O L P L Q D W H 1 R L V H & R P S O D L Q W
, Q F U H D V H : R U N H U 6 D I H W \\
. H H S < R X U 1 H L J K E R U V + D S S \

LIFETIME WARRANTY

BROADBAND WHITE SOUND BACK-UP ALARMS

, 1 7 5 2 ' 8 & , 1 * 7 + (6 0 \$ 5 7 \$ ' 6 \$ / 6) 7 , 1 * % % (6 . % \$ & 8 3 \$ / \$ 5 0 6
: , 7 + 9 2 / 8 0 (5 \$ 1 * (6) 5 2 0 - ' % \$ 1 ' -



MAKING THEM IDEAL FOR TRUCKS, BUSES, COACHES, FORKLIFTS, AIRPORT VEHICLES,

CONSTRUCTION & MINING MACHINERY, AS WELL AS WORKING IN AREAS WHERE THE AMBIENT NOISE LEVEL MAY VARY SIGNIFICANTLY.



ó ó ð ó



ó ó ð ó

**PROVIDES GREATER SAFETY & LESS NOISE
NUISANCE THAN ANY OTHER ALARM**

This is particularly important for vehicles maneuvering in close proximity to each other or going from a noisy environment, such as a factory floor, to a quieter external location, such as a work yard, ensuring the warning is always heard.



KEY BENEFITS:

- 16 PDU adjustable sound level
- Ambient noise is monitored once every second
- Automatically adjusts the alarm volume 5-10dB above the sampled noise level
- Sound is instantly locatable so you can tell which vehicle is reversing
-) RFXVHV ZDUQLQJ VRXQG LQ WKH GDQJHU (no annoying site neighbors or other people)
- 8QOLNH FRQYHQWLRQDO DODUPV WKH 1VK (sound) is easy on the ear and dissipates fast outside the danger area
- Tough, Durable, Waterproof (IP68)
- Conforms to SAE J994 environmental standards
- Solid state, spark-free electronics
- Epoxy sealed for protection against vibration, dust and moisture

| SPECIFICATION: | 97: | 107: |
|------------------------|---------------|---------------|
| POWER CONSUMPTION | 0.5 | 1.0 |
| SOUND LEVEL (DB(A)@1M) | 77-97 | 87-107 |
| SOUNDER UNIT | Speaker | Speaker |
| FREQUENCY | Multi | Multi |
| DIMENSIONS (IN.) | 5 x 2.5 x 3.6 | 7 x 3.7 x 3.1 |

CALL TOLL FREE: 1-888434-0253 CONTACT: SALES@PROVIX.NET † VISIT: WWW.PROVIX.NET

SAFETY – Much Greater Safety

□ **Their sound is locatable**

The location of a broadband sound source is instantly and unambiguously recognisable and reveals immediately which vehicle or machine is backing-up. Narrowband sound is liable to give false directional clues due to reflection off surfaces such as buildings, quarry faces etc. sometimes with fatal results

x **Sound is localised within hazard area**

Familiarity with unneeded warning alarms heard **outside** the hazard area breeds general contempt for them – very dangerous when real need is.

x **Audible through Ear Defenders**

The lower frequencies of their broad frequency spectrum penetrate ear defenders more readily than the higher frequencies of narrowband alarms

□ **Intentional disconnects**

Operators and site workers, driven mad by old narrowband alarms, are very happy to work with broadband and appreciate its safety value

VIRO M T nd To noise Complaints

x **Rapid Sound Dissipation**

Broadband sound dissipates much faster than narrowband. This results in its warning sound being confined to the hazard area.

x **Less Irritating**

Psychoacoustically, broadband sound is tolerable whereas pulsed narrowband sound disturbs and irritate workers and householders far from the hazard area.

x **Less decibels**

Broadband sound is **equally audible at lower Sound Pressure Levels** than narrowband.

LT Red ce earin Da a e Startle

• **Reduced risk of Hearing Damage**

Lower sound-pressure levels spread across a broad frequency-band diminish the hearing-damage hazard of high narrowband frequencies (the stiletto heel effect)

• **Heart risk due to “startle”**

Sudden burst of loud narrowband sound nearby can cause severe heart stress due to the startle factor

NOISE - The 21ST Century Pollutant

”Calling noise a nuisance is like calling smog an inconvenience”,

Dr William H. Stewart, former Surgeon General of USA

“Noise is any loud, discordant or disagreeable sound or sounds”

Webster s New Woropld Dictionary

Broadband back-up alarms are “noiseless” – their sound is neither loud, discordant nor disagreeable. Traditional, old narrowband alarms are intrinsically unsafe, noisy, irritating, disagreeable, injurious to health, cause stress and are frequently sabotaged. They are now obsolete.

Proactive Combination Safety System

DETECT, ALERT, REACT *Before accidents can occur*

- ◆
- ◆
- ◆
- ◆
- ◆



- 1) Equipment Cameras
- 2) Proximity Detection
- 3) Broadband White noise-Back-up Alarm




Equipment Cameras



Proximity Detection
with Radar Sensor



Broadband Back-up Alarm

Color 

Position

Transparency

[Reset Background](#)

GPS Fleet Tracking System

Key Features:

Straightforward service plan options with flat rate billing

Email alerts in the event of speeding, unauthorized use, theft, or vehicle alert zone violation

Internal 200 mAh backup battery

Live technical and activation support

Vehicle Tracking Solutions Made Simple, Reliable, & Affordable.

Provox provides a turnkey GPS vehicle tracking service for commercial and municipal fleets. Provox GPS Fleet Tracking System is a fully-hosted, cloud-based vehicle tracking service.

Safety and security, for your vehicles and on the road, from the experts at Provox.

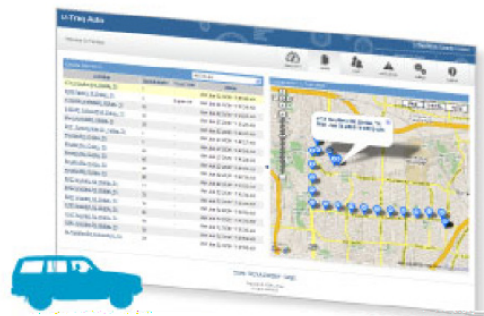
GPS Fleet Tracking System Advantages:

- ✓ **Accountability:** Verifiable reports confirming vehicle location and routes.
- ✓ **Tracking & Visibility:** monitor times (travel, onsite, start and end, idle), ignition events, and more
- ✓ **Asset Recovery:** view vehicle locations recorded every two or five minutes, including 60 days of stored history





| GPS | UPL-GPS-TRACKER-HW | UPL-GPS-TRACKER-OBD |
|----------------------------|--|--|
| Location Accuracy | 2.0 meter CEP (with SBAS) | 2.0 meter CEP (with SBAS) |
| PHYSICAL | | |
| Dimensions | 2.125 x 3.5 x 0.625", (54 x 89 x 16mm) | 43 x 64 x 25 mm |
| Weight | 3.7 oz, (106 g) | <52g |
| Connection Type | Captive 8 wire harness | OBD-II/EOBDII interface via J1962 compliant connector |
| GENERAL | | |
| Communication Modes | UDP Packet data and SMS | UDP Packet data and SMS |
| Location Technology | 50 channel GPS | 50 channel GPS |
| Operating Voltage | 12 and 24 volt vehicle systems | 9-16 VDC Vehicle Systems |
| CELLULAR | | |
| Data Support | SMS, GPRS | SMS, UPD |
| Operating Bands (MHz Band) | 850/1900 | 850/1900 |
| ENVIRONMENTAL | | |
| Temperature | -30° to +70° C (operating) -40° to +85° C (storage) | -30° to +70° C (operating) -40° to +85° C (storage) |
| Humidity | 95%RH @ 50° C non-condensing | 95%RH @ 50° C non-condensing |
| Shock and Vibration | U.S. Military Standards 202G and 810F, SAE J1455 | SAE J1455 |
| EMC/EMI RoHS Compliant | SAE J1113; FCC–Part 15B; Industry Canada | CE, GCF, eMark (all pending) RoHS Compliant |



PROVIX provides both analogue and digital and both wired and wireless video camera solutions for almost every aspect of mining. Customer driven, with the ability to respond quickly to user specific designs and requirements, PROVIX has built a reputation based on systems that offer increased productivity while enhancing safety.



PROVIX Bucket Cam System

PROVIX mobile equipment cameras effectively serve as both safety camera systems for manned operation and remote operation video systems for remote mucking and inspection. The PROVIX Remote Mucking Camera system is also available as a portable System that can easily be moved from scoop to LHD, using quick disconnect power harnesses. Integrated battery packs are also available for cameras and transmitters, allowing for the remote video system to be used without connected machine power.

The portable system transmits video from two rugged HD quality cameras to a 12" monitor for full or split screen viewing. User

feedback indicates that the 2.4 GHz transmitter receiver combination is capable of providing wireless video around corners and up to 300 m away in line of sight applications. Cameras can be mounted on vertically adjustable pedestal mounts to allow for rapid changes in the cameras' field of view to suit operator preference and the layout and approach to the work area. The PROVIX Loading Process Monitoring Video System is a user defined modular system that can support visual monitoring of loading pockets, chutes, bins or breakers with camera images being transmitted to haul trucks, loaders, operator towers and network nodes for surface or control room viewing. The multi camera system is able to transmit real time video to multiple vehicles equipped with wireless monitors; therefore the camera system ensures that all relevant personnel are apprised of the current status of both transport and processing equipment. The result is maximum uptime for production and processing equipment, as well as optimal use of haul trucks, rail depots, shuttles and other related equipment.

The PROVIX Portable Drill positioning system (aka the Bucket Cam) is a multi-function HD camera system that packs down neatly into a 5 gallon pail that houses the mag mounted camera with its 61 m retractable camera cable. The IR LED HD video camera quickly connects to a 12" AC/DC powered monitor with an integrated battery in a waterproof Pelican style case. In Sudbury, Vale's Creighton Mine uses them for drill positioning in no go areas. The close up focus of the rugged camera lens allows for quick determination of patterning when drilling blast holes. Rapid relocation of the drill rig, consistent blasthole configuration and safer drilling are side benefits. Other mines use the same camera in other configurations for breaker monitoring; ore pass and stope inspection and even remote operation.

Visit: www.PROVIX.net



ISO 9001: 2015 Certified